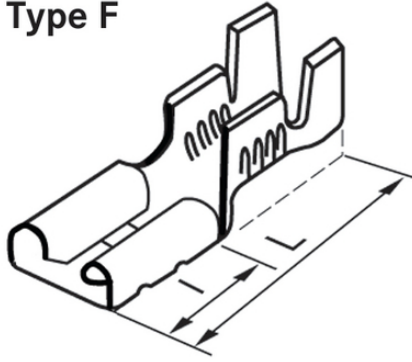


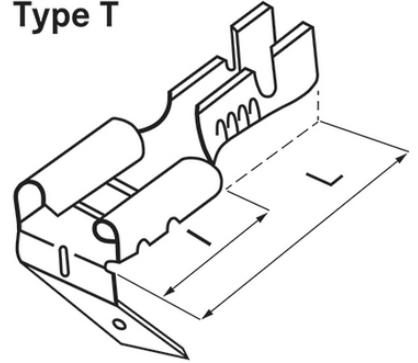
(, , T)



Type F



Type T



ETIM 5:

ETIM 5.0 Class-ID: EC000516

ETIM 5.0 class : /

ETIM 6:

ETIM 6.0 Class-ID: EC000516

ETIM 6.0 Class : /

:

:

+90°C

가 VAT 가 가 .

(24.04.2024)

©2024 Lapp Group - all rights reserved.

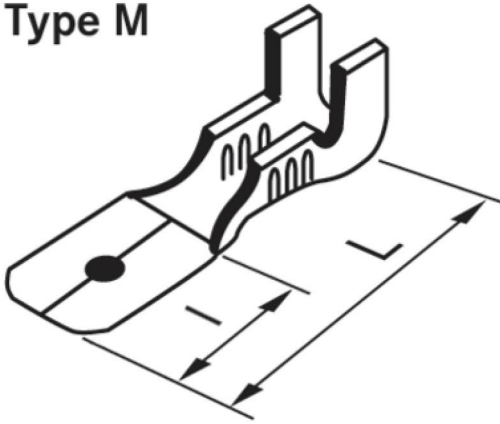
<http://lappkorea.lappgroup.com>

data sheet

PN 0456 / 02_03.16

		mm ²	UL		I	L		/ PU
DIN 46247								
63501060	L-BA 285 F	0.5 - 1	no	2.8 x 0.5	6	14	PEW 12.045	100
63501070	L-BA 288 F	0.5 - 1	no	2.8 x 0.8	5	12.7	PEW 12.045	100
63501080	L-BA 485 F	0.75 - 1.5	no	4.8 x 0.5	6.4	16	PEW 12.838	100
63501090	L-BA 488 F	0.75 - 1.5	no	4.8 x 0.8	6.4	16	PEW 12.838	100
63501120	L-BA 638 F	0.75 - 1.5	no	6.3 x 0.8	7.6	19	PEW 12.050	100
63501130	L-BB 638 F	1.5 - 2.5	no	6.3 x 0.8	7.6	19	PEW 12.050	100
63501140	L-BC 638 F	4 - 6	no	6.3 x 0.8	7.6	19	PEW 12.050	100
63501150	L-BA 638 T	0.5 - 1.5	no	6.3 x 0.8	8	20	PEW 12.050	100
()								
63501071	L-BA 288 M	0.5 - 1	no	2.8 x 0.8	5.5	13	PEW 12.045	100
63501520	L-BA 638 M	0.5 - 1	no	6.3 x 0.8	8	19	PEW 12.050	100
63501530	L-BB 638 M	1.5 - 2.5	no	6.3 x 0.8	8	19	PEW 12.050	100

Type M



(24.04.2024)

©2024 Lapp Group - all rights reserved.

<http://lappkorea.lappgroup.com>

data sheet

PN 0456 / 02_03.16