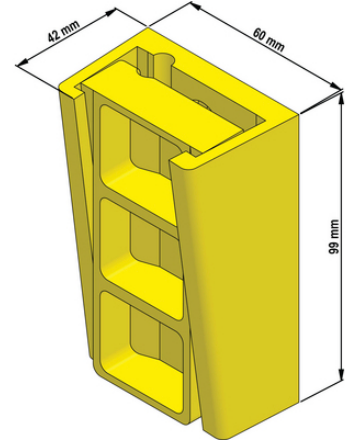
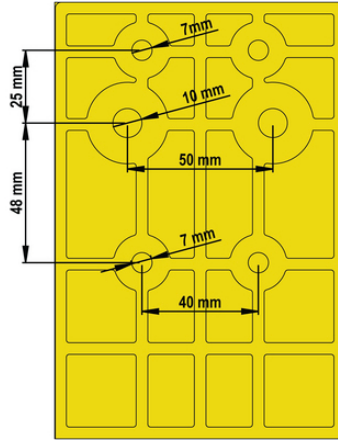
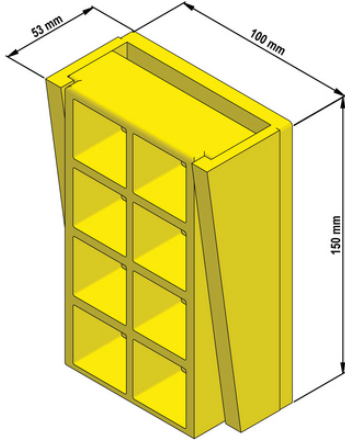


()

10mm

FKK 08

Suitable mounting plates in the web catalog



ETIM 5:

ETIM 5.0 Class-ID: EC002407

ETIM 5.0 : /

ETIM 6:

ETIM 6.0 Class-ID: EC002407

ETIM 6.0 Class : /

:

:

FKK 08: 2-10mm = 600-800NFKK 07: 2-9mm / 16-17mm = 800N

:

:

FKK 08: 60% = 60mmFKK 07: 60% = 90mm

:

6.6 -

: -20°C ~ +50°C

가 VAT 가 가 .

(24.04.2024)

()

		/	(mm)	(g)	/ PU
52026051	FKK 08	1-2	50 x 10	103	1
52026050	FKK 07	1-3	90x17	349	1

(24.04.2024)

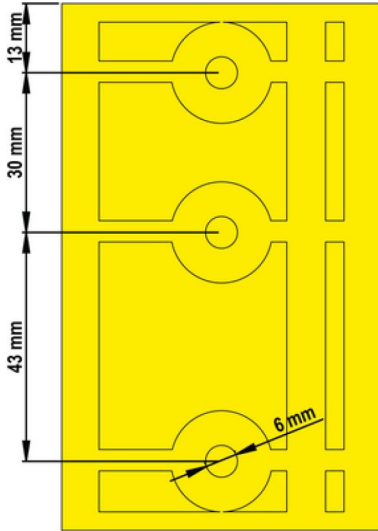
©2024 Lapp Group - all rights reserved.

<http://lappkorea.lappgroup.com>

data sheet

PN 0456 / 02_03.16

()



(24.04.2024)

©2024 Lapp Group - all rights reserved.

<http://lappkorea.lappgroup.com>

data sheet

PN 0456 / 02_03.16