



SILVYN® EL

SILVYN® EL - PVC



가

SILVYN® MPC / MPC-M

UL FILENUMBER E308201

PVC PVC

(24.04.2024)



SILVYN® EL

UL

ETIM 5:

ETIM 5.0 Class-ID: EC001177

ETIM 5.0 Class :

ETIM 6:

ETIM 6.0 Class-ID: EC001177

ETIM 6.0 Class :

:

IEC EN 61386-23

:

(RAL 7001)

:

PVC 가 PVC

:

-20°C ~ +70°C

-5°C ~ +70°C ()

가 VAT 가 가 .

(24.04.2024)

©2024 Lapp Group - all rights reserved.

<http://lappkorea.lappgroup.com>

data sheet

PN 0456 / 02_03.16

	()	ID x OD mm	(mm)	SILVYN® MPC- M/MPC 90°M	SILVYN® MPC	SILVYN® MPC 90°	PU (m)
SILVYN® EL							
61747360	12	10 x 14.5	25	16/1	9	9	30
61747370	16	12 x 16.5	25	16/2 , 20/1	11 , 13,5/1	11 , 13,5/1	30
61747380	20	16 x 21	35	20/2	13,5/2 , 16	13,5/2 , 16	30
61747390	25	22 x 27.5	45	25 x 1,5	21	21	30
61747400	30	25 x 30.5	55	32/1	29/1	29/1	30
61747410	32	28 x 33.5	60	32/2	29/2	29/2	30
61747420	40	35 x 41	80	40 x 1,5	36	36	30
61747430	50	40 x 46.4	105	50 x 1,5	42	-	30
61747440	63	50 x 57	120	63 x 1,5	48	-	30
61737268	12	10.0 x 14.5	25	16/1	9	9	10
61737269	16	12.0 x 16.5	25	16/2 , 20/1	11 , 13,5/1	11 , 13,5/1	10
61737270	20	16.0 x 21.0	35	20/2	13,5/2 , 16	13,5/2 , 16	10
61737271	25	22.0 x 27.5	45	25 x 1,5	21	21	10
61737272	30	25.0 x 30.5	55	32/1	29/1	29/1	10
SILVYN® EL							
61747361	12	10 x 14.2	50	-	-	-	30
61747371	16	12 x 17.8	50	16/2 , 20/1	11 , 13,5/1	11 , 13,5/1	30
61747381	20	16 x 21.1	70	20/2	13,5/2 , 16	13,5/2 , 16	30
61747391	25	21 x 26.4	90	25x1,5	21	21	30
61747411	32	26.5 x 33.1	140	32/2	29/2	29/2	30
61747421	40	35.4 x 41.8	190	40 x 1,5	36	36	30
61747431	50	40 x 47.9	240	50 x 1,5	42	-	30
61747441	63	51.3 x 59.7	270	63 x 1,5	48	-	30

(24.04.2024)

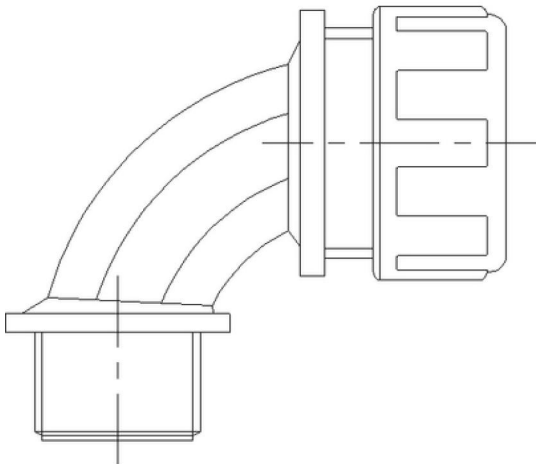
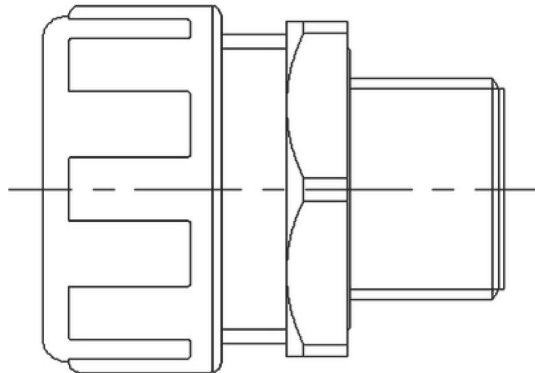
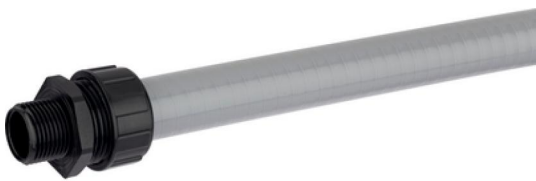
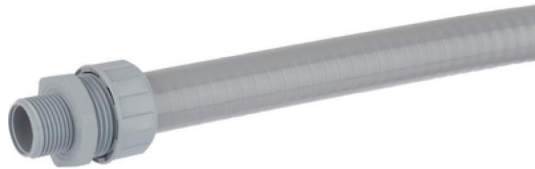
©2024 Lapp Group - all rights reserved.

<http://lappkorea.lappgroup.com>

data sheet

PN 0456 / 02_03.16

SILVYN® EL



(24.04.2024)

©2024 Lapp Group - all rights reserved.
<http://lappkorea.lappgroup.com>

data sheet

PN 0456 / 02_03.16