

# EPIC® SOLAR 4Plus F

EPIC® SOLAR 4Plus M

4 mm , 가  
1.5kV  
Made in Germany



(05.06.2024)



# EPIC® SOLAR 4Plus F

Suitable for various ÖLFLEX® SOLAR cables

NEC

TUEV tested according IEC 62852: Connectors for DC-application in photovoltaic systems

(Solartracker)

4 mm , 가  
10mm<sup>2</sup>

1,500 V

TUEV Rheinland certificate no.:  
R 60134622

ETIM 5:	ETIM 5.0 Class-ID: EC002635
	ETIM 5.0 class : ( )
ETIM 6:	ETIM 6.0 Class-ID: EC002635
	ETIM 6.0 Class : ( )
(V):	1.5 kV
:	16 kV
:	3
:	UL94 V-0
:	< 0.5 mOhm
:	PA
가:	IP68 (10h/1m)
:	100
:	II
:	-40°C ... +105°C

가 VAT 가 가 .

(05.06.2024)



# EPIC® SOLAR 4Plus F

		Cross-section (mm <sup>2</sup> )	Clamping range in mm	(A)	PU
44428236	EPIC® SOLAR 4Plus F 4mm <sup>2</sup> ... 6mm <sup>2</sup>	4 - 6	5.2 - 7.1	30	100
44428238	EPIC® SOLAR 4Plus F 10mm <sup>2</sup>	10	5.2 - 7.1	35	100
EPIC® SOLAR 4Plus					
44428218	EPIC® SOLAR 4Plus PIN F 2.5mm <sup>2</sup>	2.5	-	-	100
44428220	EPIC® SOLAR 4Plus PIN F 4mm <sup>2</sup> ... 6mm <sup>2</sup>	4.0 - 6.0	-	-	100
44428240	EPIC® SOLAR 4Plus PIN F 10mm <sup>2</sup>	10	-	-	100

(05.06.2024)

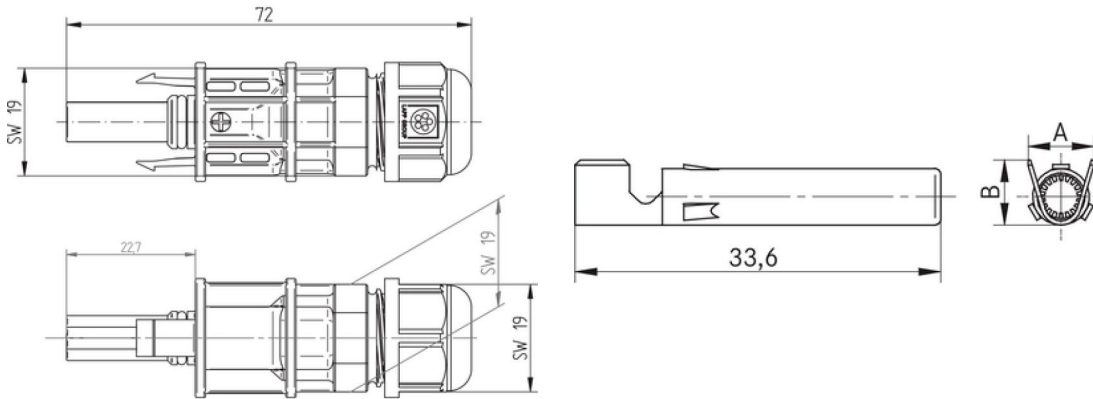
©2024 Lapp Group - all rights reserved.

<http://lappkorea.lappgroup.com>

data sheet

PN 0456 / 02\_03.16

# EPIC® SOLAR 4Plus F



(05.06.2024)

©2024 Lapp Group - all rights reserved.  
<http://lappkorea.lappgroup.com>

data sheet

PN 0456 / 02\_03.16