

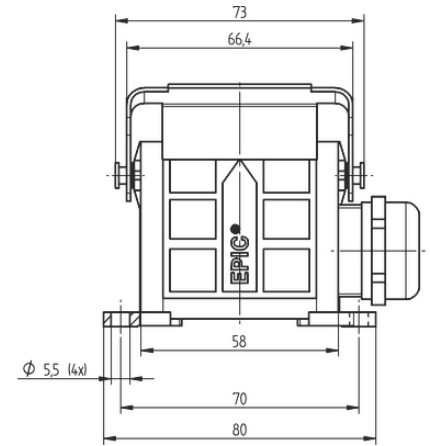
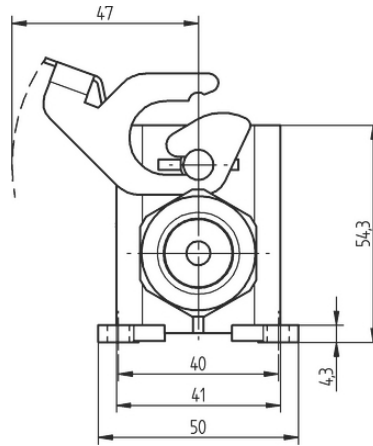
EPIC® ULTRA H-B 6 SGR LB

(EMC)

EPIC® EMC , , UL50E, Nema250

EMC

Made in Germany



SKINTOP®

(23.04.2024)

EPIC® ULTRA H-B 6 SGR LB



, - 360°

Space-saving due to compact dimensions.

EMC-

(. ,)

BRUSH 가, BRUSH

가 가

DIN EN 6988

IEC 68-2-52, 2

DIN EN ISO 9227

, NSS,

480

ETIM 5:

ETIM 5.0 Class-ID: EC000437

ETIM 5.0 class :

ETIM 6:

ETIM 6.0 Class-ID: EC000437

ETIM 6.0 Class-Description: Housing for industrial connectors

:

: - -

: NBR

:

: PA

:

가:

IP 65

NEMA 250, UL50E: 12, 4, 4X (latched)

:

-40°C ~ +100°C

가 VAT

가 가 .

(23.04.2024)

©2024 Lapp Group - all rights reserved.

<http://lappkorea.lappgroup.com>

data sheet

PN 0456 / 02_03.16



EPIC® ULTRA H-B 6 SGR LB

	Article description	Clamping range in mm	(mm) Ø ,	/ PU
H-B : - (1 ,)				
70250207	ULTRA H-B 6 SGR LB 6-13	6 - 13	-	1
70250268	ULTRA H-B 6 SGR LB 6-13 BRUSH	6.0 - 13.0	5	1
70250208	ULTRA H-B 6 SGR LB 9-17	9 - 17	-	1
70250209	ULTRA H-B 6 SGR LB 9-17 BRUSH	9 - 17	5	1

(23.04.2024)

©2024 Lapp Group - all rights reserved.

<http://lappkorea.lappgroup.com>

data sheet

PN 0456 / 02_03.16