

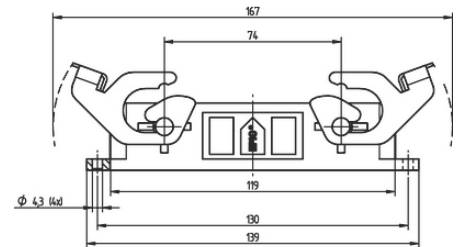
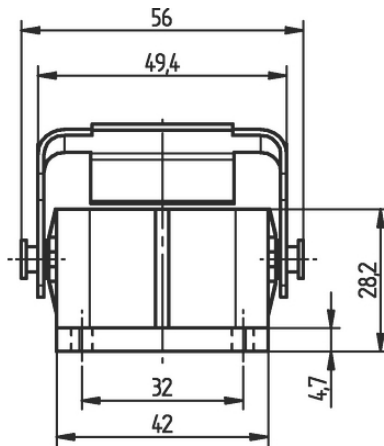
EPIC® ULTRA H-B 24 AG QB

(EMC)

EPIC® EMC , , UL50E, Nema250

EMC

Made in Germany



SKINTOP®

(29.04.2024)

EPIC® ULTRA H-B 24 AG QB



, - 360°

Space-saving due to compact dimensions.

EMC-

(. ,)

BRUSH 가, BRUSH

가 가

DIN EN 6988

IEC 68-2-52, 2 -

DIN EN ISO 9227

, NSS, 480

ETIM 5:

ETIM 5.0 Class-ID: EC000437

ETIM 5.0 class :

ETIM 6:

ETIM 6.0 Class-ID: EC000437

ETIM 6.0 Class-Description: Housing for industrial connectors

:

: - -

: NBR

:

: PA

:

가:

IP 65

NEMA 250, UL50E: 12 (latched)

:

-40°C ~ +100°C

가 VAT 가 가 .

(29.04.2024)

©2024 Lapp Group - all rights reserved.

<http://lappkorea.lappgroup.com>

data sheet

PN 0456 / 02_03.16



EPIC® ULTRA H-B 24 AG QB

	Article description	/ PU
H-B : - ()		
70250222	ULTRA H-B 24 AG QB	1

(29.04.2024)

©2024 Lapp Group - all rights reserved.

<http://lappkorea.lappgroup.com>

data sheet

PN 0456 / 02_03.16