

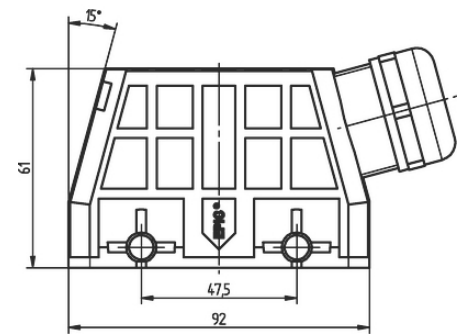
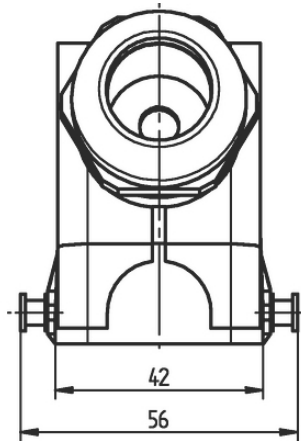
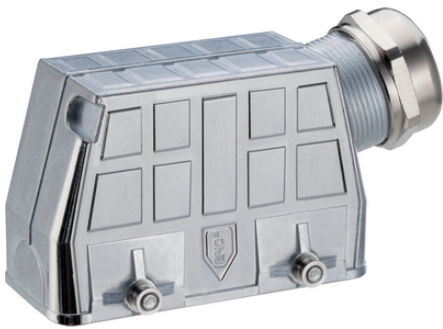
EPIC® ULTRA H-B 16 TS QB

(EMC)

EPIC® EMC , , UL50E, Nema250

EMC

Made in Germany



(24.04.2024)

EPIC® ULTRA H-B 16 TS QB

, - 360°

Space-saving due to compact dimensions.

EMC-

(. ,)

BRUSH 가, BRUSH

가 가

DIN EN 6988

IEC 68-2-52, 2

DIN EN ISO 9227

, NSS, 480

ETIM 5:

ETIM 5.0 Class-ID: EC000437

ETIM 5.0 class :

ETIM 6:

ETIM 6.0 Class-ID: EC000437

ETIM 6.0 Class-Description: Housing for industrial connectors

:

: - -

: NBR

: PA

가:

IP 68

NEMA 250, UL50E: 12, 4, 4X (latched)

:

-40°C ~ +100°C

가 VAT 가 가 .

(24.04.2024)

©2024 Lapp Group - all rights reserved.

<http://lappkorea.lappgroup.com>

data sheet

PN 0456 / 02_03.16



EPIC® ULTRA H-B 16 TS QB

	Article description	Clamping range in mm	(mm) Ø ,	/ PU
H-B	:	(,)
70250214	ULTRA H-B 16 TS QB 7-15	7 - 15	-	1
70250264	ULTRA H-B 16 TS QB 7-15 BRUSH	7.0 - 15.0	6	1
70250215	ULTRA H-B 16 TS QB 11-21	11 - 21	-	1
70250216	ULTRA H-B 16 TS QB 11-21 BRUSH	11 - 21	6	1

(24.04.2024)

©2024 Lapp Group - all rights reserved.
<http://lappkorea.lappgroup.com>

data sheet

PN 0456 / 02_03.16