

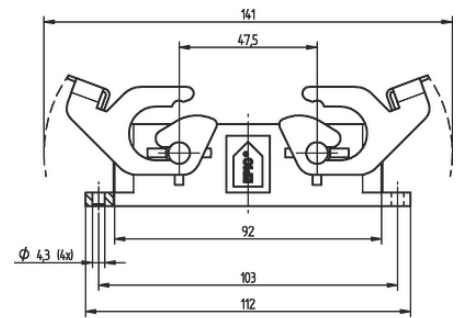
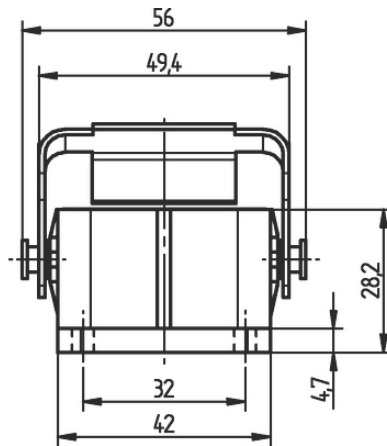
# EPIC® ULTRA H-B 16 AG QB

(EMC )

EPIC® EMC , , UL50E, Nema250

EMC

Made in Germany



(24.08.2024)

# EPIC® ULTRA H-B 16 AG QB



, - 360°

Space-saving due to compact dimensions.

EMC-

( . , )

BRUSH 가, BRUSH

가 가

DIN EN 6988

IEC 68-2-52, 2

DIN EN ISO 9227

, NSS, 480

ETIM 5:

ETIM 5.0 Class-ID: EC000437

ETIM 5.0 class :

ETIM 6:

ETIM 6.0 Class-ID: EC000437

ETIM 6.0 Class-Description: Housing for industrial connectors

:

: - -

: NBR

:  
: PA

가:

IP 68

NEMA 250, UL50E: 12, 4, 4X (latched)

:

-40°C ~ +100°C

가 VAT 가 가 .

(24.08.2024)

©2024 Lapp Group - all rights reserved.

<http://lappkorea.lappgroup.com>

data sheet

PN 0456 / 02\_03.16



# EPIC® ULTRA H-B 16 AG QB

|             | Article description | / PU |
|-------------|---------------------|------|
| H-B : - ( ) |                     |      |
| 70250217    | ULTRA H-B 16 AG QB  | 1    |

(24.08.2024)

©2024 Lapp Group - all rights reserved.

<http://lappkorea.lappgroup.com>

data sheet

PN 0456 / 02\_03.16