

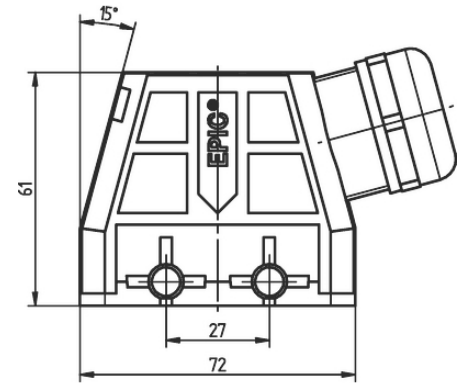
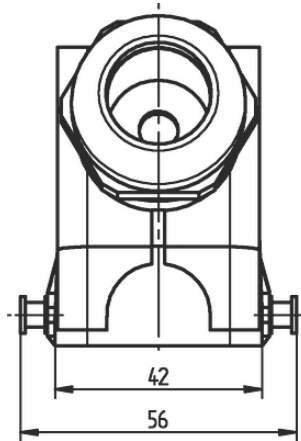
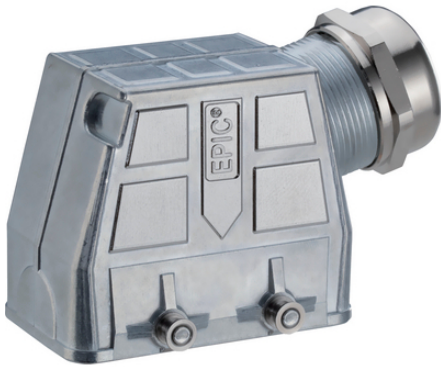
EPIC® ULTRA H-B 10 TS QB

(EMC)

EPIC® EMC , , UL50E, Nema250

EMC

Made in Germany



SKINTOP®

(24.04.2024)

EPIC® ULTRA H-B 10 TS QB



, - 360°

Space-saving due to compact dimensions.

EMC-

(. ,)

BRUSH 가, BRUSH

가 가

DIN EN 6988

IEC 68-2-52, 2 -

DIN EN ISO 9227

, NSS, 480

ETIM 5:

ETIM 5.0 Class-ID: EC000437

ETIM 5.0 class :

ETIM 6:

ETIM 6.0 Class-ID: EC000437

ETIM 6.0 Class-Description: Housing for industrial connectors

:

: - -

:

: NBR

:

: PA

:

가:

IP 68

NEMA 250, UL50E: 12, 4, 4X (latched)

VDE- :

: VDE-REG. : B437

UL- :

UL : E75770

:

-40°C ~ +100°C

가 VAT 가 가 .

(24.04.2024)

©2024 Lapp Group - all rights reserved.

<http://lappkorea.lappgroup.com>

data sheet

PN 0456 / 02_03.16



EPIC® ULTRA H-B 10 TS QB

	Article description	Clamping range in mm	(mm) Ø ,	/ PU
70250265	ULTRA H-B 10 TS QB 7-15 BRUSH	7.0 - 15.0	6	1
70250211	ULTRA H-B 10 TS QB 11-21	11 - 21	-	1
70250212	ULTRA H-B 10 TS QB 11-21 BRUSH	11 - 21	6	1
H-B : (,)				
70250210	ULTRA H-B 10 TS QB 7-15	7.0 - 15.0	-	1

(24.04.2024)

©2024 Lapp Group - all rights reserved.

<http://lappkorea.lappgroup.com>

data sheet

PN 0456 / 02_03.16