

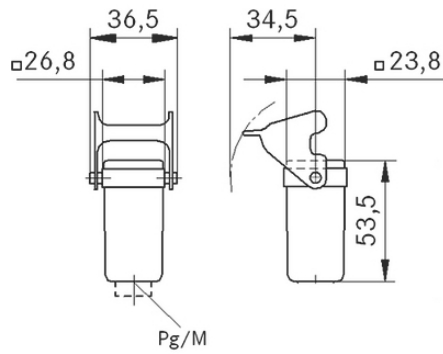
# EPIC® ULTRA H-A 3 TBF

(EMC )

EPIC® EMC , , UL50E, Nema250

EMC

Made in Germany



(22.07.2024)

# EPIC® ULTRA H-A 3 TBF

, - 360°

Space-saving due to compact dimensions.

가

EMC-

( . , )

IEC 68-2-52, 2  
DIN EN ISO 9227 , NSS, 480  
DIN EN 6988 -

ETIM 5:

ETIM 5.0 Class-ID: EC000437

ETIM 5.0 class :

ETIM 6:

ETIM 6.0 Class-ID: EC000437

ETIM 6.0 Class-Description: Housing for industrial connectors

:

:

:

: NBR

가:

IP 65

NEMA 250, UL50E: 12, 4, 4X (latched)

VDE- :

: VDE-REG. : B437

UL- :

UL : E75770

:

-40°C to +100°C, short-term up to +125°C

가 VAT 가 가 .

(22.07.2024)

©2024 Lapp Group - all rights reserved.

<http://lappkorea.lappgroup.com>

data sheet

PN 0456 / 02\_03.16



## EPIC® ULTRA H-A 3 TBF

	Article description	M	Packaging unit
10423204	EPIC® ULTRA H-A 3 TBF	20	10

(22.07.2024)

©2024 Lapp Group - all rights reserved.

<http://lappkorea.lappgroup.com>

data sheet

PN 0456 / 02\_03.16