

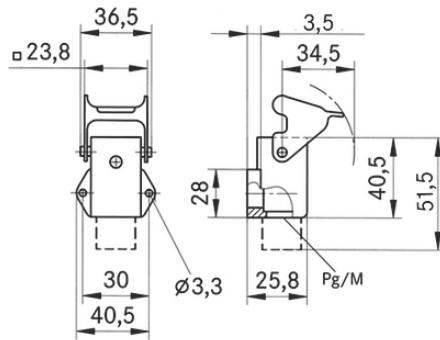
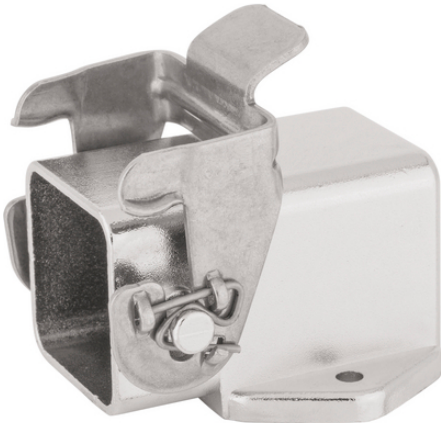
EPIC® ULTRA H-A 3 AGSV open

(EMC)

EPIC® EMC , , UL50E, Nema250

EMC

Made in Germany



(20.07.2024)

EPIC® ULTRA H-A 3 AGSV open

, - 360°

Space-saving due to compact dimensions.

EMC-

(. ,)

Panel-mount base with open base, side cable entry and additional side M20 thread
IEC 68-2-52, 2
DIN EN ISO 9227 , NSS, 480
DIN EN 6988 -

ETIM 5:

ETIM 5.0 Class-ID: EC000437
ETIM 5.0 class :

ETIM 6:

ETIM 6.0 Class-ID: EC000437
ETIM 6.0 Class-Description: Housing for industrial connectors

:

:
:
: NBR

가:

IP 65
NEMA 250, UL50E: 12, 4, 4X (latched)

VDE- :

: VDE-REG. : B437

UL- :

UL : E75770

:

-40°C to +100°C, short-term up to +125°C

가 VAT 가 가 .

(20.07.2024)



EPIC® ULTRA H-A 3 AGSV open

	Article description	M	Packaging unit
10423203	EPIC® ULTRA H-A 3 AGSV open	20	10

(20.07.2024)

©2024 Lapp Group - all rights reserved.

<http://lappkorea.lappgroup.com>

data sheet

PN 0456 / 02_03.16