

EPIC® MC Module: RJ45

The mixed assembly guarantees high flexibility. For applications in machine and plant engineering, for robotics and slide-in technology.

4 8 가

CAT.5-



Lapp

1

ETIM 5:

ETIM 5.0 Class-ID: EC002641

ETIM 5.0 : ()

ETIM 6:

ETIM 6.0 Class-ID: EC002641

ETIM 6.0 Class : ()

(V): . 600 V/ . 125 V

(A): . 10 A/ . 1.5 A

: 3

: ,

/ : 4 + 8 Data

(20.07.2024)

©2024 Lapp Group - all rights reserved.

<http://lappkorea.lappgroup.com>

data sheet

PN 0456 / 02_03.16



EPIC® MC Module: RJ45

:	:	: 0.14 - 2.5 mm ² , Data: IDC/	:
:	:	Cat5, AWG 24-26	:
:	:	100	:
:	:	-20 °C ... +85 °C	:

가 VAT 가 가 .

(20.07.2024)



EPIC® MC Module: RJ45

	Article description	Contact type		Slots	Packaging unit
	: RJ 45 ()				
10344300	MCS 8 RJ45		4 + 8 + PE	2	5
10345300	MCB 8 RJ45		4 + 8 + PE	2	5

(20.07.2024)

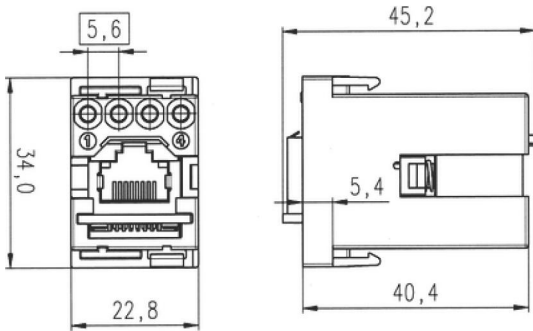
©2024 Lapp Group - all rights reserved.

<http://lappkorea.lappgroup.com>

data sheet

PN 0456 / 02_03.16

EPIC® MC Module: RJ45



(20.07.2024)

©2024 Lapp Group - all rights reserved.
<http://lappkorea.lappgroup.com>

data sheet

PN 0456 / 02_03.16