

# EPIC® MC Module Pneumatic 2pole

The mixed assembly guarantees high flexibility. For applications in machine and plant engineering, for robotics and slide-in technology.

가 2 -20 ~ +100

2.5 4mm 가



1

ETIM 5:

ETIM 5.0 Class-ID: EC002641

ETIM 5.0 : ( )

ETIM 6:

ETIM 6.0 Class-ID: EC002641

ETIM 6.0 Class : ( )

:

/ :

2

:

- :

2.5 mm/4.0 mm

:

100

(20.07.2024)

©2024 Lapp Group - all rights reserved.

<http://lappkorea.lappgroup.com>

data sheet

PN 0456 / 02\_03.16



# EPIC® MC Module Pneumatic 2pole

: 8 bar  
: 10 bar  
: -20°C +100°C

가 VAT 가 가 .

(20.07.2024)



# EPIC® MC Module Pneumatic 2pole

	Article description	Contact type		Slots	Packaging unit
	: 2-				
44424008	MCS 2x2,5 PNEU (10)		2	1	10
44424009	MCB 2x2,5 PNEU (10)	가	2	1	10
44424010	MCS 2x4,0 PNEU (10)		2	1	10
44424011	MCB 2x4,0 PNEU (10)	가	2	1	10

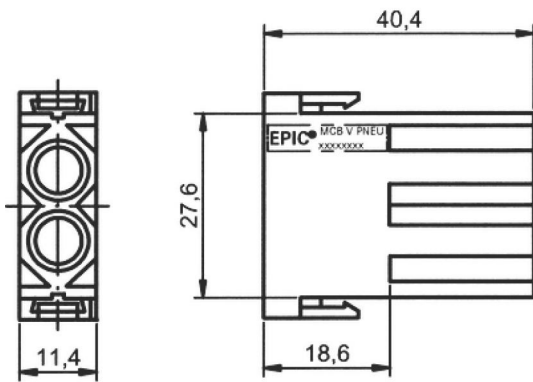
(20.07.2024)

©2024 Lapp Group - all rights reserved.  
<http://lappkorea.lappgroup.com>

data sheet

PN 0456 / 02\_03.16

## EPIC® MC Module Pneumatic 2pole



(20.07.2024)

©2024 Lapp Group - all rights reserved.  
<http://lappkorea.lappgroup.com>

data sheet

PN 0456 / 02\_03.16