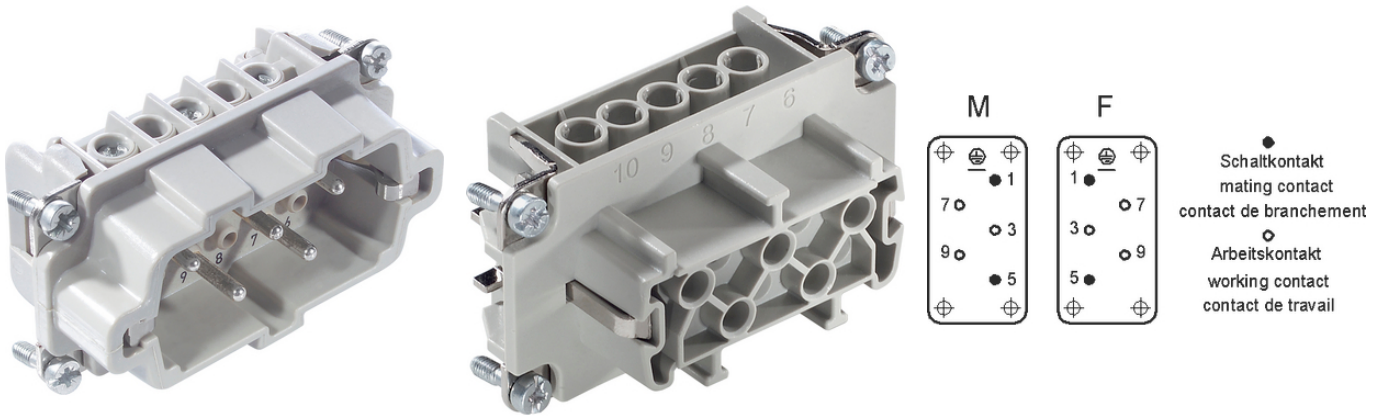


EPIC® H-BVE 3

가

가



가

ETIM 5:

ETIM 5.0 Class-ID: EC000438

ETIM 5.0 class :

ETIM 6:

ETIM 6.0 Class-ID: EC000438

ETIM 6.0 Class-Description: Contact insert for industrial connectors

(V):

IEC: 630 V
UL: 600 V
CSA: 600 V

:

6 kV

(18.07.2024)

EPIC® H-BVE 3

(A):	IEC: 16 A
	UL: 16 A
	CSA: 16 A
:	3
:	< 2 mOhm
:	,
/ :	3 + 2 + PE
:	: 0.5 - 2.5 mm ²
(mm):	8
:	100
VDE- :	: VDE-REG. : B437
	UL- :
	UL : E75770
:	-40°C to +100°C, short-term up to +125°C

가 VAT 가 가 .

(18.07.2024)



EPIC® H-BVE 3

	Article description	Contact type			Packaging unit
H-BVE 3					
10210010	H-BVE 3 SS		yes	3 + 2	10
10211010	H-BVE 3 BS		yes	3 + 2	10
10210110	H-BVE 3 SS		-	3 + 2	10
10211110	H-BVE 3 BS		-	3 + 2	10

(18.07.2024)

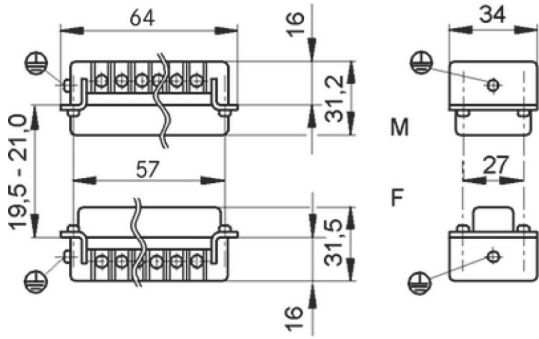
©2024 Lapp Group - all rights reserved.

<http://lappkorea.lappgroup.com>

data sheet

PN 0456 / 02_03.16

EPIC® H-BVE 3



(18.07.2024)

©2024 Lapp Group - all rights reserved.
<http://lappkorea.lappgroup.com>

data sheet

PN 0456 / 02_03.16