

EPIC® H-B 6 TGH

H-B.

가

UL50E



Lapp



H-B

가

가

(20.07.2024)

©2024 Lapp Group - all rights reserved.

<http://lappkorea.lappgroup.com>

data sheet

PN 0456 / 02_03.16

EPIC® H-B 6 TGH

neck /

ETIM 5:

ETIM 5.0 Class-ID: EC000437

ETIM 5.0 class :

ETIM 6:

ETIM 6.0 Class-ID: EC000437

ETIM 6.0 Class-Description: Housing for industrial connectors

:

Housing: powder-coated aluminium alloy, grey

Bolts: steel, coated

가:

IP 65 (latched)

NEMA 250, UL50E: 12, 4 (latched)

VDE- :

: VDE-REG. : B437

UL- :

UL : E75770

:

-40°C to +100°C, short-term up to +125°C

가 VAT 가 가 .

(20.07.2024)

©2024 Lapp Group - all rights reserved.

<http://lappkorea.lappgroup.com>

data sheet

PN 0456 / 02_03.16



EPIC® H-B 6 TGH

	Article description	M	PG	Neck	Packaging unit
H-B	:	(,	,)
70020200	EPIC® H-B 6 TGH 21	-	21	yes	10
70020400	EPIC® H-B 6 TGH 29	-	29	yes	10
79020000	EPIC® H-B 6 TGH M16	16	-	-	10
79020100	EPIC® H-B 6 TGH M20	20	-	-	10
79020200	EPIC® H-B 6 TGH M25	25	-	-	10
79020400	EPIC® H-B 6 TGH M32	32	-	-	10

(20.07.2024)

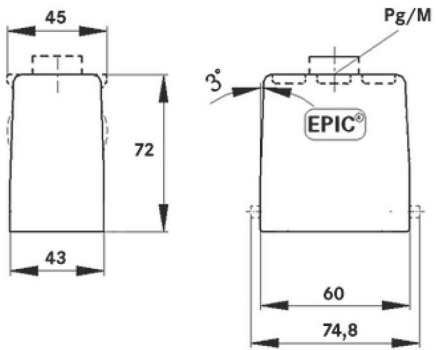
©2024 Lapp Group - all rights reserved.

<http://lappkorea.lappgroup.com>

data sheet

PN 0456 / 02_03.16

EPIC® H-B 6 TGH



(20.07.2024)

©2024 Lapp Group - all rights reserved.

<http://lappkorea.lappgroup.com>

data sheet

PN 0456 / 02_03.16