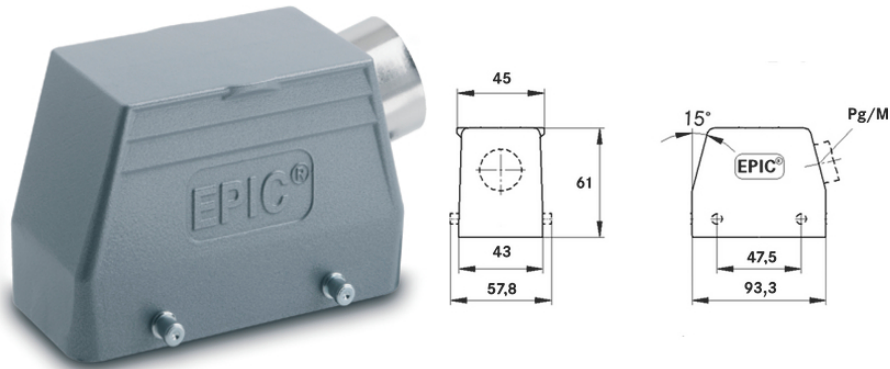


EPIC® H-B 16 TS

H-B.

UL50E



Lapp



, low

(19.07.2024)

©2024 Lapp Group - all rights reserved.

<http://lappkorea.lappgroup.com>

data sheet

PN 0456 / 02_03.16

EPIC® H-B 16 TS

()

ETIM 5:

ETIM 5.0 Class-ID: EC000437

ETIM 5.0 class :

ETIM 6:

ETIM 6.0 Class-ID: EC000437

ETIM 6.0 Class-Description: Housing for industrial connectors

:

: - ,

: -

: NBR

가:

IP 65 (latched)

UL50E

VDE- :

: VDE-REG. : B437

UL- :

UL : E75770

:

-40°C to +100°C, short-term up to +125°C

가 VAT 가 가 .

(19.07.2024)



EPIC® H-B 16 TS

	Article description	M	PG	Neck	Packaging unit
H-B	:	(,)	
10082000	H-B 16 TS 21	-	21	yes	5
10092000	H-B 16 TS 29	-	29	yes	5
19082000	H-B 16 TS M25	25	-	yes	5
19092000	H-B 16 TS M32	32	-	yes	5

(19.07.2024)

©2024 Lapp Group - all rights reserved.
<http://lappkorea.lappgroup.com>

data sheet
PN 0456 / 02_03.16