

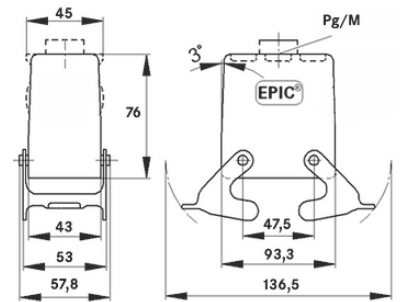
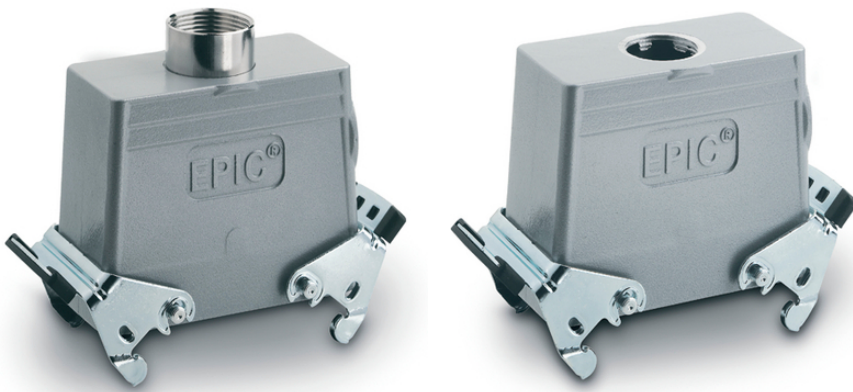
# EPIC® H-B 16 TGBH

H-B.

2

가

UL50E



Lapp



2

가

(22.07.2024)

©2024 Lapp Group - all rights reserved.

<http://lappkorea.lappgroup.com>

data sheet

PN 0456 / 02\_03.16

# EPIC® H-B 16 TGBH

,

neck /

ETIM 5:

ETIM 5.0 Class-ID: EC000437

ETIM 5.0 class :

ETIM 6:

ETIM 6.0 Class-ID: EC000437

ETIM 6.0 Class-Description: Housing for industrial connectors

:

: - ,

:

: NBR

가:

IP 65 (latched)

VDE- :

: VDE-REG. : B437

UL- :

UL : E75770

:

-40°C to +100°C, short-term up to +125°C

가 VAT 가 가 .

(22.07.2024)



# EPIC® H-B 16 TGBH

	Article description	M	PG	Neck	Packaging unit
H-B	:	(	,	,	)
70105200	H-B 16TGBH 21	-	21	yes	5
70105400	H-B 16TGBH 29	-	29	yes	5
79105200	H-B 16TGBH M25	25	-	-	5
79105400	H-B 16TGBH M32	32	-	-	5

(22.07.2024)

©2024 Lapp Group - all rights reserved.  
<http://lappkorea.lappgroup.com>

data sheet

PN 0456 / 02\_03.16