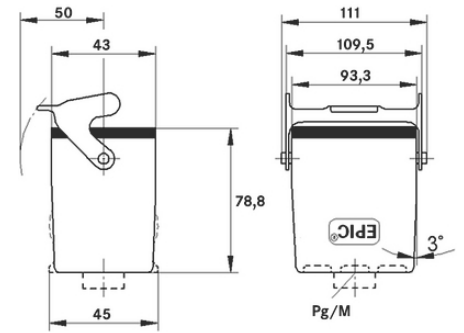


EPIC® H-B 16 TBFH-LB

H-B.

UL50E



Lapp



(22.07.2024)

©2024 Lapp Group - all rights reserved.

<http://lappkorea.lappgroup.com>

data sheet

PN 0456 / 02_03.16

EPIC® H-B 16 TBFH-LB

neck /

ETIM 5:

ETIM 5.0 Class-ID: EC000437

ETIM 5.0 class :

ETIM 6:

ETIM 6.0 Class-ID: EC000437

ETIM 6.0 Class-Description: Housing for industrial connectors

:

:

: -
: -
: NBR

가:

IP 65 (latched)

UL50 12 ()

VDE- :

: VDE-REG. : B437

UL- :

UL : E75770

:

-40°C to +100°C, short-term up to +125°C

가 VAT

가 가 .

(22.07.2024)

©2024 Lapp Group - all rights reserved.

<http://lappkorea.lappgroup.com>

data sheet

PN 0456 / 02_03.16



EPIC® H-B 16 TBFH-LB

	Article description	M	PG	Neck	Packaging unit
H-B :	(1 , ,)				
70092200	H-B 16 TBFH-LB 21	-	21	yes	5
70092400	H-B 16 TBFH-LB 29	-	29	yes	5
79092200	H-B 16 TBFH-LB M25	25	-	-	5
79092400	H-B 16 TBFH-LB M32	32	-	-	5

(22.07.2024)

©2024 Lapp Group - all rights reserved.

<http://lappkorea.lappgroup.com>

data sheet

PN 0456 / 02_03.16