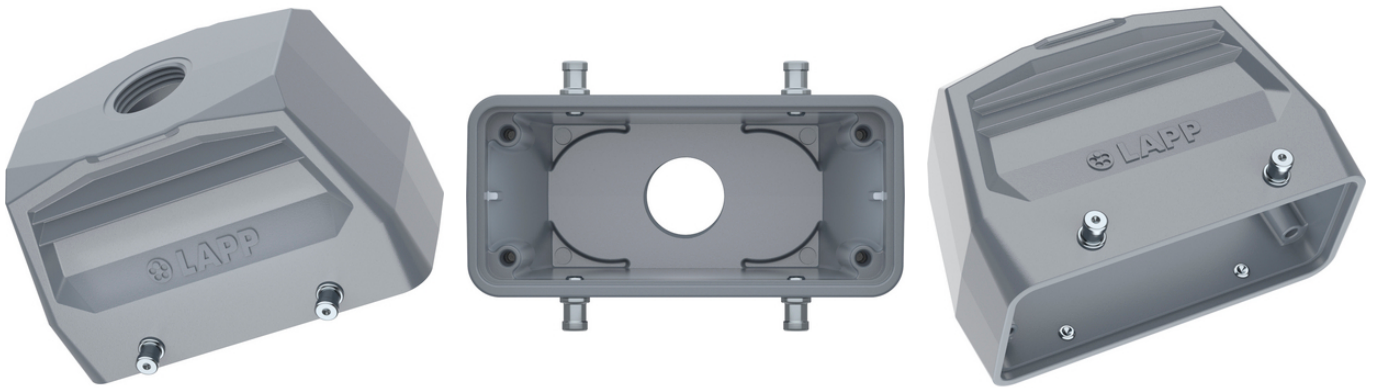


## EPIC® H-B 16 T

H-B.

The same, yet better: you'll be impressed with this rectangular connector hood, the design and haptics of which have been completely revamped. While the technical properties and advantages have remained identical, the modern design not only impresses visually, but gives you a much better grip when connecting and disconnecting.



Lapp



The hood housing is mateable with many commercially available housings (panel-mount base, surface-mount base or coupler hood housings).

The user-friendly design with a good grip makes the plug connection easy to connect and release.

Locking takes place using a stainless-steel double lever on the counter-housing.

Corresponds to protection class IP 65 when locked.

UL certification according to technical data enables use of the product in the North American region.

To protect the connector insert from environmental influences.

(22.07.2024)

©2024 Lapp Group - all rights reserved.

<http://lappkorea.lappgroup.com>

data sheet

PN 0456 / 02\_03.16

# EPIC® H-B 16 T

For use with many EPIC® rectangular connector inserts or module inserts.

For power supply connection of devices and machines in various applications.  
With modular connector assembly, also suitable for signal and data transmission.  
For use with a cable gland or a collar.  
Withstands high environmental and mechanical stresses.

, low

ETIM 5:	ETIM 5.0 Class-ID: EC000437 ETIM 5.0 class :
ETIM 6:	ETIM 6.0 Class-ID: EC000437 ETIM 6.0 Class-Description: Housing for industrial connectors
:	Housing: powder-coated aluminium alloy, grey Bolts: steel, coated
가:	IP 65 (latched)
:	-40°C to +100°C, short-term up to +125°C

가 VAT 가 가 .



# EPIC® H-B 16 T

	M	Packaging unit
19080001	20	10

(22.07.2024)

©2024 Lapp Group - all rights reserved.

<http://lappkorea.lappgroup.com>

data sheet

PN 0456 / 02\_03.16