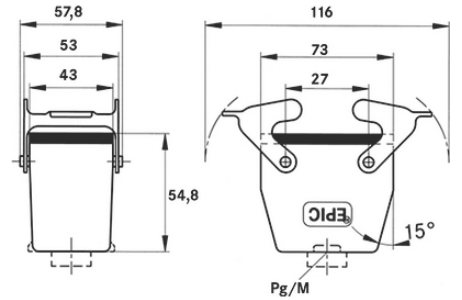


EPIC® H-B 10 TBF

H-B.

2 가

2 가



Lapp



가 가

가

(22.07.2024)

©2024 Lapp Group - all rights reserved.

<http://lappkorea.lappgroup.com>

data sheet

PN 0456 / 02_03.16

EPIC® H-B 10 TBF

neck /

ETIM 5:

ETIM 5.0 Class-ID: EC000437

ETIM 5.0 class :

ETIM 6:

ETIM 6.0 Class-ID: EC000437

ETIM 6.0 Class-Description: Housing for industrial connectors

:

: - ,

: -

: NBR

가:

IP 65 (latched)

NEMA 250, UL50E: 12, 4 (latched)

VDE- :

: VDE-REG. : B437

UL- :

UL : E75770

:

-40°C to +100°C, short-term up to +125°C

가 VAT 가 가 .

(22.07.2024)

©2024 Lapp Group - all rights reserved.

<http://lappkorea.lappgroup.com>

data sheet

PN 0456 / 02_03.16



EPIC® H-B 10 TBF

	Article description	M	PG	Neck	Packaging unit
H-B :	(,)				
10046000	H-B 10 TBF 16	-	16	yes	10
70040200	H-B 10 TBF 21	-	21	yes	10
19046000	H-B 10 TBF M20	20	-	-	10
79040200	H-B 10 TBF M25	25	-	-	10

(22.07.2024)

©2024 Lapp Group - all rights reserved.

<http://lappkorea.lappgroup.com>

data sheet

PN 0456 / 02_03.16