

# EPIC® MC 3.6 machined contacts 16 mm<sup>2</sup>

EPIC®

16 mm<sup>2</sup> 가 20



ETIM 5:

ETIM 5.0 Class-ID: EC000168

ETIM 5.0 class :

ETIM 6:

ETIM 6.0 Class-ID: EC000168

ETIM 6.0 Class :

:

< 1 mOhm

:

500

:

가 VAT 가 가 .

(22.07.2024)

©2024 Lapp Group - all rights reserved.

<http://lappkorea.lappgroup.com>

data sheet

PN 0456 / 02\_03.16



EPIC® MC 3.6 machined contacts 16 mm<sup>2</sup>

	Article description		Version	Cross-section (mm <sup>2</sup> )		Packaging unit
44424014	EPIC® Modular SCEM AG 16 D=3.6	HC2		16	Ag	20
44424015	EPIC® Modular BCEM AG 16 D=3.6	HC2		16	Ag	20
44424029	EPIC® KB 16-4R	16mm <sup>2</sup>		16	-	10

(22.07.2024)

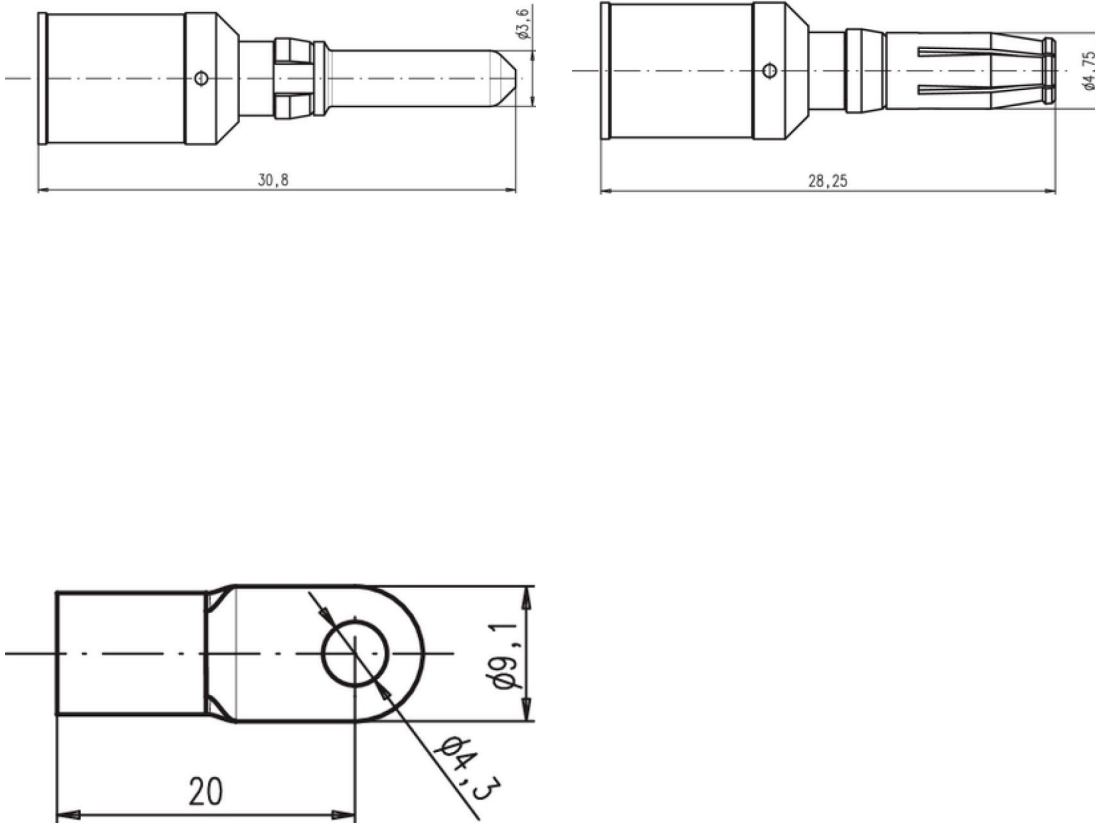
©2024 Lapp Group - all rights reserved.

<http://lappkorea.lappgroup.com>

data sheet

PN 0456 / 02\_03.16

EPIC® MC 3.6 machined contacts 16 mm<sup>2</sup>



(22.07.2024)

©2024 Lapp Group - all rights reserved.  
<http://lappkorea.lappgroup.com>

data sheet

PN 0456 / 02\_03.16