

# EPIC® SIGNAL M23 F6

Servo

EPIC® M23

Made in Germany



SKINTOP®

EMC

(24.04.2024)

# EPIC® SIGNAL M23 F6

ETIM 5:

ETIM 5.0 Class-ID: EC000437

ETIM 5.0 class :

ETIM 6:

ETIM 6.0 Class-ID: EC000437

ETIM 6.0 Class-Description: Housing for industrial connectors

:

: - -

: FPM

가:

IP68 (10h/1m)

VDE- :

: VDE-REG. C24(EN 61984 , DIN

VDE 0100-410 SELV가 )

UL : E249137

:

-25°C ~+125°C

가 VAT 가 가 .

(24.04.2024)

©2024 Lapp Group - all rights reserved.

<http://lappkorea.lappgroup.com>

data sheet

PN 0456 / 02\_03.16



# EPIC® SIGNAL M23 F6

	Article			/ PU
Type M23 F6 cable coupler				
44420040	M23 F6	(N)	7 - 13.5	5
75018415	M23 F6	(N)	5.0 - 7.3	5
72064030	M23 F6	(N)	7 - 10	5
72064020	M23 F6	(N)	7 - 10	20
72064000	M23 F6	(N)	9.5 - 13.5	5
72064010	M23 F6	(N)	9.5 - 13.5	20
44420041	M23 F6	(+20°)	7 - 13.5	5
72064230	M23 F6	(+20°)	7 - 10	5
72064220	M23 F6	(+20°)	7 - 10	20
72064200	M23 F6	(+20°)	9.5 - 13.5	5
44420039	M23 F6	(-20°)	7 - 13.5	5
72064130	M23 F6	(-20°)	7 - 10	5
72064100	M23 F6	(-20°)	9.5 - 13.5	5

(24.04.2024)

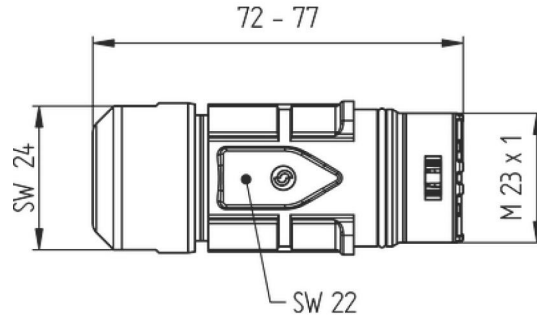
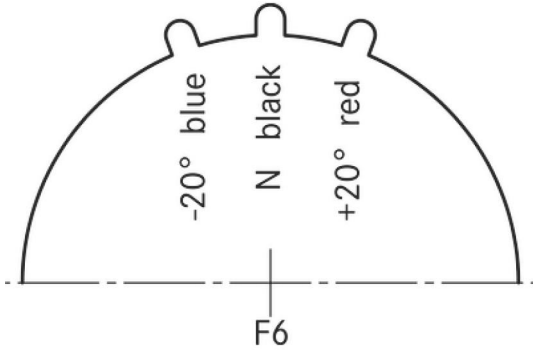
©2024 Lapp Group - all rights reserved.

<http://lappkorea.lappgroup.com>

data sheet

PN 0456 / 02\_03.16

# EPIC® SIGNAL M23 F6



(24.04.2024)

©2024 Lapp Group - all rights reserved.  
<http://lappkorea.lappgroup.com>

data sheet

PN 0456 / 02\_03.16