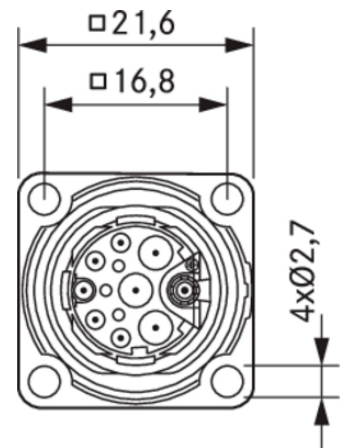


# EPIC® POWER M17 A1

EPIC® M17 POWER

Made in Germany



/ ac  
EMC

(20.07.2024)

# EPIC® POWER M17 A1

ETIM 5:	ETIM 5.0 Class-ID: EC002635
	ETIM 5.0 class : ( )
ETIM 6:	ETIM 6.0 Class-ID: EC002635
	ETIM 6.0 Class : ( )
(V):	630V: 2mm 1mm
	60V: 0.6mm
:	6KV: 2mm 1mm
	1.5KV: 0.6mm
(A):	3+PE: 20A, 5+PE/6+PE/7+PE:14A, 3+PE+5:14A/3,6A
:	3
:	
/ :	3+PE, 5+PE, 6+PE, 7+PE, 3+PE+5
	:3+PE(2mm), 5+PE(1mm), 6+PE(1mm), 7+PE(1mm),
	3+PE+5(1mm/0.6mm)
:	: 3+PE: 0.5-2.5mm <sup>2</sup> , 5+PE/6+PE/7+PE: 0.06-1mm <sup>2</sup> ,
	3+P+5: 0.06-1/0.06-0.5mm <sup>2</sup>
:	:
	: PA,
	: FPM
가:	IP 67
:	100
:	-40°C +125°C

가 VAT 가 가 .

(20.07.2024)



# EPIC® POWER M17 A1

	Article description			Packaging unit
M17 A1,				
44423075	EPIC® M17	Ø 2.7 mm (4x)	3+PE (2mm )	5
44423070	EPIC® M17	Ø 2.7 mm (4x)	3+PE (2mm )	5
44423076	EPIC® M17	Ø 2.7 mm (4x)	5+PE (1mm )	5
44423071	EPIC® M17	Ø 2.7 mm (4x)	5+PE (1mm )	5
44423077	EPIC® M17	Ø 2.7 mm (4x)	6+PE (1mm )	5
44423072	EPIC® M17	Ø 2.7 mm (4x)	6+PE (1mm )	5
44423078	EPIC® M17	Ø 2.7 mm (4x)	7+PE (1mm )	5
44423073	EPIC® M17	Ø 2.7 mm (4x)	7+PE (1mm )	5
44423079	EPIC® M17	Ø 2.7 mm (4x)	3+PE+5 (1mm/0.6mm )	5

(20.07.2024)

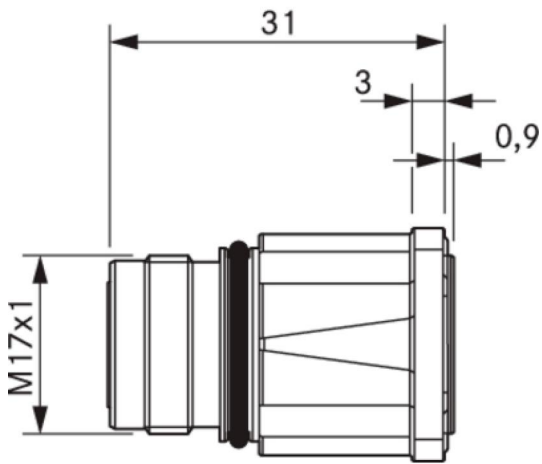
©2024 Lapp Group - all rights reserved.

<http://lappkorea.lappgroup.com>

data sheet

PN 0456 / 02\_03.16

# EPIC® POWER M17 A1



(20.07.2024)

©2024 Lapp Group - all rights reserved.

<http://lappkorea.lappgroup.com>

data sheet

PN 0456 / 02\_03.16