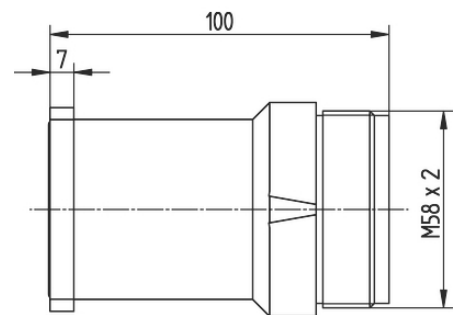
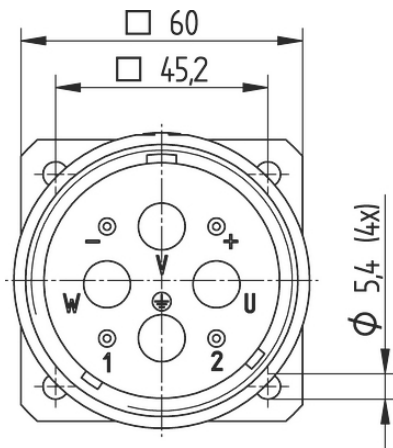


EPIC® POWER LS3 A1

EPIC® LS3

Made in Germany



가

EMC

ETIM 5:

ETIM 5.0 Class-ID: EC002635

ETIM 5.0 class : ()

ETIM 6:

ETIM 6.0 Class-ID: EC002635

ETIM 6.0 Class : ()

(V):

630 V (10 mm)

(20.07.2024)

©2024 Lapp Group - all rights reserved.

<http://lappkorea.lappgroup.com>

data sheet

PN 0456 / 02_03.16

EPIC® POWER LS3 A1

	250 V (1.6 mm)
:	6 kV (10 mm)
	4 kV (1.6 mm)
(A):	150 A (10-mm) 25 °C
	12 A (1.6-mm), 25 °C
:	3
:	-
/ :	3+PE+2(10mm/1.6mm)
	3+PE+4(10mm/1.6mm)
:	: 10 - 50 mm ² (10 mm contacts)
	: 0.75 - 1.5 mm ² (1.6 mm contacts)
:	:
	: PA
	: FPM
가:	IP 67
:	50
:	-20 °C a ž la +120 °C

가 VAT 가 가 .

(20.07.2024)



EPIC® POWER LS3 A1

	Article description			Packaging unit
LS3 A1: :				
44429352	LS3 A1	Ø 4.2 mm (4x)	3+PE+2	1
44429353	LS3 A1	Ø 4.2 mm (4x)	3+PE+4	1

(20.07.2024)

©2024 Lapp Group - all rights reserved.

<http://lappkorea.lappgroup.com>

data sheet

PN 0456 / 02_03.16