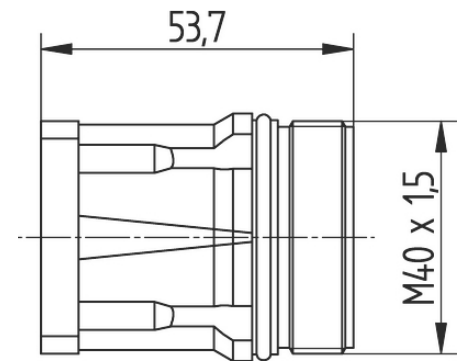
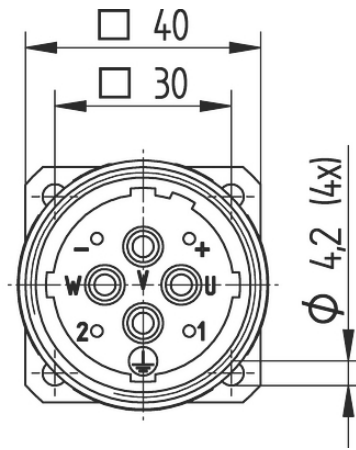


EPIC® POWER LS1.5 A1

EPIC® LS1.5

Made in Germany



가
가 EMC

(24.04.2024)

EPIC® POWER LS1.5 A1

ETIM 5:	ETIM 5.0 Class-ID: EC002635
	ETIM 5.0 class : ()
ETIM 6:	ETIM 6.0 Class-ID: EC002635
	ETIM 6.0 Class : ()
(V):	630 V (3.6 mm)
	250 V (2 mm)
:	6 kV (3.6 mm)
	4 kV (2 mm)
(A):	70 A (3.6-mm) 25 °C
	30 A (2-mm) at 25 °C
:	3
:	
/ :	3+PE+2(3.6mm/2mm)
	3+PE+4(3.6mm/2mm)
:	: 0.75 - 10 mm ² (3.6 mm)
	: 0.14 - 4.0 mm ² (2 mm)
:	:
	: PA,
	: FPM
가:	IP 67
:	50
:	-20 °C a ž +125 °C

가 VAT 가 가 .

(24.04.2024)



EPIC® POWER LS1.5 A1

	Article description			/ PU
LS1.5 A1				
44429308	EPIC® POWER LS1.5 A1	Ø 4.2 mm (4x)	3+PE+2	1
44429309	EPIC® POWER LS1.5 A1	Ø 4.2 mm (4x)	3+PE+4	1

(24.04.2024)

©2024 Lapp Group - all rights reserved.

<http://lappkorea.lappgroup.com>

data sheet

PN 0456 / 02_03.16