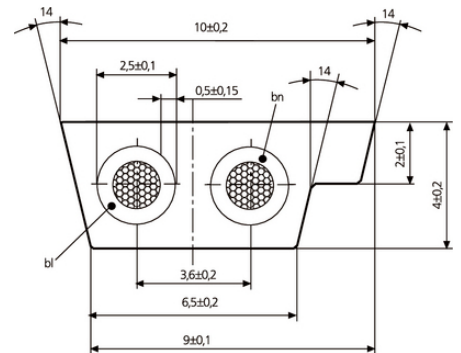


UNITRONIC® BUS ASI FD

AS-INTERFACE

(PUR), UL (TPE). -40°C ~+105°C (TPE)

"FD" =
"LD" =



Lapp



BUS ASI LD 2 x 2.5 (Long Distance)

BUS ASI LD 1.5

()

가 . AS-I

UNITRONIC® Fieldbus

(23.04.2024)

©2024 Lapp Group - all rights reserved.

<http://lappkorea.lappgroup.com>

data sheet

PN 0456 / 02_03.16

UNITRONIC® BUS ASI FD

-/

PUR IEC 60754-1
 ,IEC 60332-1-2, UL FT-2
 2- . ((Polarity Reversal)
)
 ASI " " ASI ()

ASI EN 50295 IEC 62026-2
 TPE : UL AWM Style 2103
 CSA AWM II A/B

:
 : TPE PUR
 : (RAL 1023), (RAL 9005)

ETIM 5:	ETIM 5.0 Class-ID: EC000830
	ETIM 5.0 Class- :
ETIM 6:	ETIM 6.0 Class-ID: EC000830
	ETIM 6.0 Class :
:	300 V ()
:	1.5 mm ² : . 13.7 Ohm/km
	2.5 mm ² : . 8.21 Ohm/km
:	: 12 mm
	, : 24 mm
	, : 60 mm (15 x D)
:	Core/core: 2000 V
:	:
	-40°C +80°C (TPE +105°C)
	-30 °C +70 °C (TPE +105 °C)

가 가 . (.) 가 .
www.lappkabel.de/en/cable-standradlengths
 Lapp Kabel AS-International Association .
 가 VAT 가 가 .



UNITRONIC® BUS ASI FD

				(CORE) / (mm ²)	(kg/km)	(kg/km)
(,)						
2170357	UNITRONIC® BUS ASI FD P FRNC			2 x 1.5	29	64
2170358	UNITRONIC® BUS ASI FD P FRNC		30 V DC	2 x 1.5	29	64
2170317	UNITRONIC® BUS ASI LD FD P			2 x 2.5	48	74
2170318	UNITRONIC® BUS ASI LD FD P		30 V DC	2 x 2.5	48	74
- TPE UL/CSA(AWM)						
2170830	UNITRONIC® BUS ASI FD (TPE) A			2 x 1.5	29	64
2170831	UNITRONIC® BUS ASI FD (TPE) A		30 V DC	2 x 1.5	29	64

(23.04.2024)

©2024 Lapp Group - all rights reserved.

<http://lappkorea.lappgroup.com>

data sheet

PN 0456 / 02_03.16