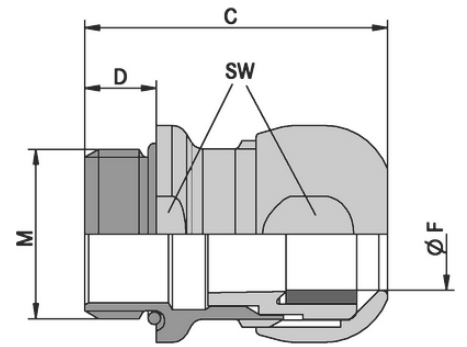


# SKINTOP® INOX SC

SKINTOP® INOX EMV,

EMC



(24.04.2024)



# SKINTOP® INOX SC

EMC

EMC

EMC

( , )

DIN EN ISO 14159  
Security of machinery – Hygienic requirements for the design of machinery  
DIN EN 1672-2

ECOLAB®

NSF/ANSI 169

DIN EN 60423  
DIN IEC 62444

SKINDICHT® SM-PE-M

ETIM 5: ETIM 5.0 Class-ID: EC000441  
ETIM 5.0 :

ETIM 6: ETIM 6.0 Class-ID: EC000441  
ETIM 6.0 Class :

:

:

Body: stainless steel V4A  
(1.4404 / 316L)  
Insert: polyamide  
Sealing: silicone  
O-Ring: silicone

가: IP 68 - 10 bar (M12 - M20)  
IP 68 - 5 bar (M25 - M50)  
IP 69

NEMA Type 1, 2, 4x, 6, 12

: -40°C ~ +100°C

(24.04.2024)



## SKINTOP® INOX SC

가 VAT 가 가 .

(24.04.2024)



# SKINTOP® INOX SC

	Article designation / size	Ø F mm	SW (mm)	, C mm	Thread length D mm	/ PU
SKINTOP® INOX SC						
53806720	M 12 x 1,5	4 - 7	16	29.3	6.5	5
53806722	M 16 x 1,5	6 - 10	20	32.4	7	5
53806724	M 20 x 1,5	7 - 13	24	35.5	8	5
53806726	M 25 x 1,5	9 - 17	29	39.2	8	5
53806728	M 32 x 1,5	11 - 21	36	44.6	9	5
53806731	M 40 x 1,5	19 - 28	45	51.2	9	5
53806732	M 50 x 1,5	27 - 35	54	56.2	10	5

(24.04.2024)

©2024 Lapp Group - all rights reserved.

<http://lappkorea.lappgroup.com>

data sheet

PN 0456 / 02\_03.16