

SKINTOP® STR

SKINTOP® STR, 71



(,)

With reducing seal insert, to seal cables with smaller outer diameters

UL E79903

DIN 40430 PG

(24.04.2024)

SKINTOP® STR

ETIM 5:	ETIM 5.0 Class-ID: EC000441
	ETIM 5.0 :
ETIM 6:	ETIM 6.0 Class-ID: EC000441
	ETIM 6.0 Class :
:	T21
:	(RAL 7001)
:	(RAL 7035)
:	(RAL 9005), UV-
:	:
:	: CR
:	GGVS: TÜ.EGG.020-95
가:	IP 68 - 5 bar
:	NEMA Type 1, 12
:	: -20°C ~ +100°C
:	: -40°C +100°C

가 VAT 가 가 .

(24.04.2024)



SKINTOP® STR

	Article designation / size	Ø F mm	SW (mm)	, C mm	Thread length D mm	/ PU
SKINTOP® STR silver grey						
53015100	PG 7	1.5 - 5	15	32.0	7.8	100
53015110	PG 9	2 - 6	19	36.0	8	100
53015120	PG 11	2 - 7	22	38.0	8	100
53015130	PG 13,5	4 - 9	24	41.0	9	100
53015140	PG 16	6 - 12	27	44.0	10	50
53015150	PG 21	9 - 16	33	49.0	11	50
53015160	PG 29	11 - 20	42	56.0	10.7	25
53015170	PG 36	17 - 26	53	66.0	13.3	10
53015180	PG 42	22 - 31	60	68.0	13.4	5
53015190	PG 48	26 - 35	65	69.0	14.3	5
SKINTOP® STR black						
53015300	PG 7	1.5 - 5	15	32.0	7.8	100
53015310	PG 9	2 - 6	19	36.0	8	100
53015320	PG 11	2 - 7	22	38.0	8	100
53015330	PG 13,5	4 - 9	24	41.0	9	100
53015340	PG 16	6 - 12	27	44.0	10	50
53015350	PG 21	9 - 16	33	49.0	11	50
53015360	PG 29	11 - 20	42	56.0	10.7	25
53015370	PG 36	17 - 26	53	66.0	13.3	10
53015380	PG 42	22 - 31	60	68.0	13.4	5
53015390	PG 48	26 - 35	65	69.0	14.3	5
SKINTOP® STR						
53018100	PG 7	1.5 - 5	15	32.0	7.8	100
53018110	PG 9	2 - 6	19	36.0	8	100
53018120	PG 11	2 - 7	22	38.0	8	100
53018130	PG 13,5	4 - 9	24	41.0	9	100
53018140	PG 16	6 - 12	27	44.0	10	50
53018150	PG 21	9 - 16	33	49.0	11	50
53018160	PG 29	11 - 20	42	56.0	10.7	25
53018170	PG 36	17 - 26	53	66.0	13.3	10
53018180	PG 42	22 - 31	60	68.0	13.4	5

(24.04.2024)

©2024 Lapp Group - all rights reserved.

<http://lappkorea.lappgroup.com>

data sheet

PN 0456 / 02_03_16



SKINTOP® STR

	Article designation / size	Ø F mm	SW (mm)	, C mm	Thread length D mm	/ PU
53018190	PG 48	26 - 35	65	69.0	14.3	5

(24.04.2024)

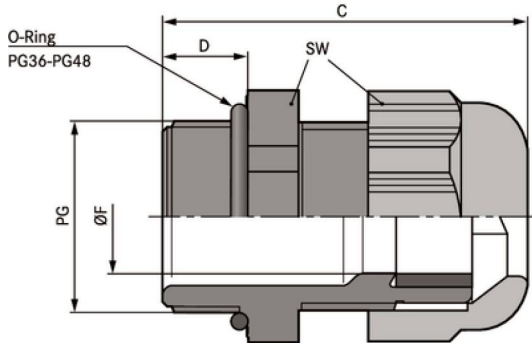
©2024 Lapp Group - all rights reserved.

<http://lappkorea.lappgroup.com>

data sheet

PN 0456 / 02_03.16

SKINTOP® STR



(24.04.2024)

©2024 Lapp Group - all rights reserved.
<http://lappkorea.lappgroup.com>

data sheet

PN 0456 / 02_03.16