

SKINTOP® ST

SKINTOP® ST,



(24.04.2024)



SKINTOP® ST

UL E79903

DIN 40430 PG

ETIM 5:

ETIM 5.0 Class-ID: EC000441

ETIM 5.0 :

ETIM 6:

ETIM 6.0 Class-ID: EC000441

ETIM 6.0 Class :

:

T21

:

(RAL 7001)

(RAL 7035)

(RAL 9005), UV-

:

:

: CR

:

GGVS: TÜ.EGG.020-95

가:

IP 68 - 5 bar

NEMA Type 1, 12

:

: -20°C ~ +100°C

: -40°C +100°C

가 VAT 가 가 .

(24.04.2024)

©2024 Lapp Group - all rights reserved.

<http://lappkorea.lappgroup.com>

data sheet

PN 0456 / 02_03.16



SKINTOP® ST

	Article designation / size	Ø F mm	SW (mm)	, C mm	Thread length D mm	/ PU
SKINTOP® ST silbergrau						
53015000	PG 7	2.5 - 6.5	15	32.0	7.8	100
53015010	PG 9	3.5 - 8	19	36.0	8	100
53015020	PG 11	4 - 10	22	38.0	8	100
53015030	PG 13,5	6 - 12	24	41.0	9	100
53015040	PG 16	9 - 14	27	44.0	10	50
53015050	PG 21	13 - 18	33	49.0	11	50
53015060	PG 29	14 - 25	42	56.0	10.7	25
53015070	PG 36	24 - 32	53	66.0	13.3	10
53015080	PG 42	35 - 38	60	68.0	13.4	5
53015090	PG 48	39 - 44	65	69.0	14.3	5
SKINTOP® ST						
53015200	PG 7	2.5 - 6.5	15	32.0	7.8	100
53015210	PG 9	3.5 - 8	19	36.0	8	100
53015220	PG 11	4 - 10	22	38.0	8	100
53015230	PG 13,5	6 - 12	24	41.0	9	100
53015240	PG 16	9 - 14	27	44.0	10	50
53015250	PG 21	13 - 18	33	49.0	11	50
53015260	PG 29	14 - 25	42	56.0	10.7	25
53015270	PG 36	24 - 32	53	66.0	13.3	10
53015280	PG 42	35 - 38	60	68.0	13.4	5
53015290	PG 48	39 - 44	65	69.0	14.3	5
SKINTOP® ST						
53018000	PG 7	2.5 - 6.5	15	32.0	7.8	100
53018010	PG 9	3.5 - 8	19	36.0	8	100
53018020	PG 11	4 - 10	22	38.0	8	100
53018030	PG 13,5	6 - 12	24	41.0	9	100
53018040	PG 16	9 - 14	27	44.0	10	50
53018050	PG 21	13 - 18	33	49.0	11	50
53018060	PG 29	14 - 25	42	56.0	10.7	25
53018070	PG 36	24 - 32	53	66.0	13.3	10
53018080	PG 42	35 - 38	60	68.0	13.4	5

(24.04.2024)

©2024 Lapp Group - all rights reserved.

<http://lappkorea.lappgroup.com>

data sheet

PN 0456 / 02_03_16



SKINTOP® ST

	Article designation / size	Ø F mm	SW (mm)	, C mm	Thread length D mm	/ PU
53018090	PG 48	39 - 44	65	69.0	14.3	5

(24.04.2024)

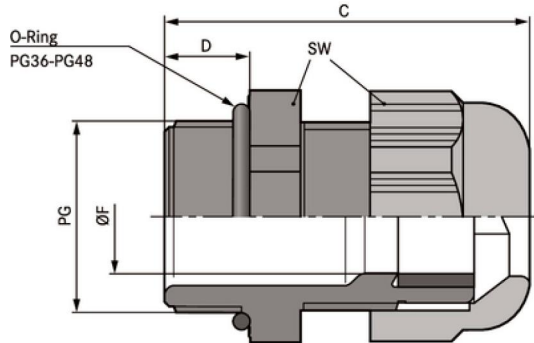
©2024 Lapp Group - all rights reserved.

<http://lappkorea.lappgroup.com>

data sheet

PN 0456 / 02_03.16

SKINTOP® ST



(24.04.2024)

©2024 Lapp Group - all rights reserved.
<http://lappkorea.lappgroup.com>

data sheet

PN 0456 / 02_03.16