

SKINTOP® STR-M

SKINTOP® STR-M,

가

가

Mit IP69 !

가



(,)

(19.06.2024)

SKINTOP® STR-M

With reducing seal insert, to seal cables with smaller outer diameters

UL E79903
GGVS: TÜ.EGG.020-95

DIN EN 60423
DIN IEC 62444

SKINTOP® ST(R) M ISO 가
가 가 SKINTOP® ST(R) M ISO , , DNV

ETIM 5: ETIM 5.0 Class-ID: EC000441
ETIM 5.0 :
ETIM 6: ETIM 6.0 Class-ID: EC000441
ETIM 6.0 Class :
: T21
Ab Größe M 40 x 1,5 bis M 63 x 1,5 mit O-Ring
:
(RAL 7001)
(RAL 7035)
(RAL 9005), UV-
:
:
: CR
:
GGVS: TÜ.EGG.020-95
가:
IP 66
IP 68 - 5 bar
IP 69
NEMA Type 1, 12
:
: -40°C +100°C
: -20°C ~ +100°C

가 VAT 가 가 .

SKINTOP® STR-M

	Article designation / size	Ø F mm	SW (mm)	, C mm	Thread length D mm	/ PU
SKINTOP® STR-M						
53111100	M 12 x 1,5	2 - 5	15	30.0	8	100
53111110	M 16 x 1,5	3.5 - 7	19	34.0	8	100
53111120	M 20 x 1,5	4 - 10	25	37.0	9	100
53111130	M 25 x 1,5	5 - 13	30	40.0	10	50
53111140	M 32 x 1,5	6 - 15	36	47.0	10	25
53111150	M 40 x 1,5	9 - 23	46	52.0	10	10
53111160	M 50 x 1,5	24 - 29	55	62.0	12	5
53111170	M 63 x 1,5	28 - 39	66	71.0	12	5
SKINTOP® STR-M						
53111300	M 12 x 1,5	2 - 5	15	30.0	8	100
53111310	M 16 x 1,5	3.5 - 7	19	34.0	8	100
53111320	M 20 x 1,5	4 - 10	25	37.0	9	100
53111330	M 25 x 1,5	5 - 13	30	40.0	10	50
53111340	M 32 x 1,5	6 - 15	36	47.0	10	25
53111350	M 40 x 1,5	9 - 23	46	52.0	10	10
53111360	M 50 x 1,5	24 - 29	55	62.0	12	5
53111370	M 63 x 1,5	28 - 39	66	71.0	12	5
SKINTOP® STR-M						
53111500	M 12 x 1,5	2 - 5	15	30.0	8	100
53111510	M 16 x 1,5	3.5 - 7	19	34.0	8	100
53111520	M 20 x 1,5	4 - 10	25	37.0	9	100
53111530	M 25 x 1,5	5 - 13	30	40.0	10	50
53111540	M 32 x 1,5	6 - 15	36	47.0	10	25
53111550	M 40 x 1,5	9 - 23	46	52.0	10	10
53111560	M 50 x 1,5	24 - 29	55	62.0	12	5
53111570	M 63 x 1,5	28 - 39	66	71.0	12	5
SKINTOP® STR M ISO - ((thread))						
53017110	M 16 x 1,5 ISO	2 - 6	19	40.0	12	100
53017130	M 20 x 1,5 ISO	4 - 9	24	45.0	13	100
53017140	M 25 x 1,5 ISO	6 - 12	27	47.0	13	50

(19.06.2024)

©2024 Lapp Group - all rights reserved.

<http://lappkorea.lappgroup.com>

data sheet

PN 0456 / 02_03.16



SKINTOP® STR-M

	Article designation / size	Ø F mm	SW (mm)	, C mm	Thread length D mm	/ PU
	SKINTOP® STR M ISO ()	(thread)				
53017310	M 16 x 1,5 ISO	2 - 6	19	40.0	12	100
53017330	M 20 x 1,5 ISO	4 - 9	24	45.0	13	100
53017340	M 25 x 1,5 ISO	6 - 12	27	47.0	13	50

(19.06.2024)

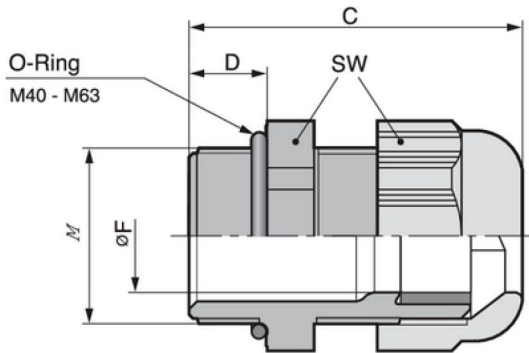
©2024 Lapp Group - all rights reserved.

<http://lappkorea.lappgroup.com>

data sheet

PN 0456 / 02_03.16

SKINTOP® STR-M



(19.06.2024)

©2024 Lapp Group - all rights reserved.
<http://lappkorea.lappgroup.com>

data sheet

PN 0456 / 02_03.16