

SKINTOP® ST-M

SKINTOP® ST-M,

가

가

Mit IP69 !

가

In practical box available in the web catalogue



(19.08.2024)

SKINTOP® ST-M

(,)

Off-Shore ,

UL E79903
GGVS: TÜ.EGG.020-95

DIN EN 60423
DIN IEC 62444

SKINTOP® ST(R) M ISO 가
가 가 SKINTOP® ST(R) M ISO , , DNV

ETIM 5: ETIM 5.0 Class-ID: EC000441
ETIM 5.0 :
ETIM 6: ETIM 6.0 Class-ID: EC000441
ETIM 6.0 Class :
: T21
Ab Größe M 40 x 1,5 bis M 63 x 1,5 mit O-Ring
: (RAL 7001)
(RAL 7035)
(RAL 9005), UV-
:
: CR
: GGVS: TÜ.EGG.020-95
가: IP 66
IP 68 - 5 bar
IP 69
NEMA Type 1, 12
: : -40°C +100°C
: -20°C ~ +100°C



SKINTOP® ST-M

가 VAT 가 가 .

(19.08.2024)



SKINTOP® ST-M

	Article designation / size	Ø F mm	SW (mm)	, C mm	Thread length D mm	/ PU
SKINTOP® ST-M						
53111000	M 12 x 1,5	3.5 - 7	15	30.0	8	100
53111010	M 16 x 1,5	4 - 10	19	34.0	8	100
53111020	M 20 x 1,5	6 - 13	25	37.0	9	100
53111030	M 25 x 1,5	8 - 17	30	40.0	10	50
53111040	M 32 x 1,5	9 - 21	36	47.0	10	25
53111050	M 40 x 1,5	16 - 28	46	52.0	10	10
53111060	M 50 x 1,5	27 - 34	55	62.0	12	5
53111070	M 63 x 1,5	34 - 45	66	71.0	12	5
SKINTOP® ST-M						
53111200	M 12 x 1,5	3.5 - 7	15	30.0	8	100
53111210	M 16 x 1,5	4 - 10	19	34.0	8	100
53111220	M 20 x 1,5	6 - 13	25	37.0	9	100
53111230	M 25 x 1,5	8 - 17	30	40.0	10	50
53111240	M 32 x 1,5	9 - 21	36	47.0	10	25
53111250	M 40 x 1,5	16 - 28	46	52.0	10	10
53111260	M 50 x 1,5	27 - 34	55	62.0	12	5
53111270	M 63 x 1,5	34 - 45	66	71.0	12	5
SKINTOP® ST-M						
53111400	M 12 x 1,5	3.5 - 7	15	30.0	8	100
53111410	M 16 x 1,5	4 - 10	19	34.0	8	100
53111420	M 20 x 1,5	6 - 13	25	37.0	9	100
53111430	M 25 x 1,5	8 - 17	30	40.0	10	50
53111440	M 32 x 1,5	9 - 21	36	47.0	10	25
53111450	M 40 x 1,5	16 - 28	46	52.0	10	10
53111460	M 50 x 1,5	27 - 34	55	62.0	12	5
53111470	M 63 x 1,5	34 - 45	66	71.0	12	5
SKINTOP® ST M ISO - ((thread))						
53017010	M 16 x 1,5 ISO	3.5 - 8	19	40.0	12	100
53017030	M 20 x 1,5 ISO	5 - 12	24	45.0	13	100
53017040	M 25 x 1,5 ISO	9 - 14	27	47.0	13	50

(19.08.2024)

©2024 Lapp Group - all rights reserved.

<http://lappkorea.lappgroup.com>

data sheet

PN 0456 / 02_03.16



SKINTOP® ST-M

	Article designation / size	Ø F mm	SW (mm)	, C mm	Thread length D mm	/ PU
SKINTOP® ST M ISO	((thread))			
53010000	M 12 x 1,5 ISO	3.5 - 7	15	36.7	15	100
53017210	M 16 x 1,5 ISO	3.5 - 8	19	40.0	12	100
53017230	M 20 x 1,5 ISO	5 - 12	24	45.0	13	100
53017240	M 25 x 1,5 ISO	9 - 14	27	47.0	13	50

(19.08.2024)

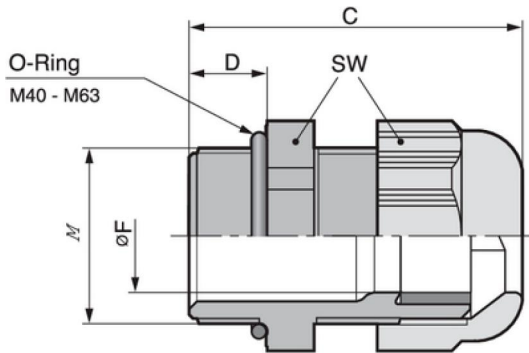
©2024 Lapp Group - all rights reserved.

<http://lappkorea.lappgroup.com>

data sheet

PN 0456 / 02_03.16

SKINTOP® ST-M



(19.08.2024)

©2024 Lapp Group - all rights reserved.

<http://lappkorea.lappgroup.com>

data sheet

PN 0456 / 02_03.16