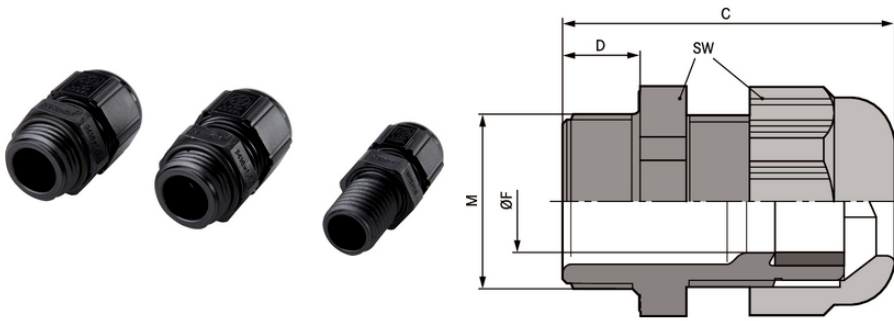


# SKINTOP® SOLAR

SKINTOP® SOLAR,

, UV

Cable gland for photovoltaik applications, based on EN 62444, EN 50548 and UL 1703



UV -  
UL 746 C - UL F1

UL 94V-0 / 94-5VA

(25.04.2024)



# SKINTOP® SOLAR

UL E79903

DIN EN 60423  
DIN IEC 62444

ETIM 5:	ETIM 5.0 Class-ID: EC000441
	ETIM 5.0 :
ETIM 6:	ETIM 6.0 Class-ID: EC000441
	ETIM 6.0 Class :
:	T21
:	Black (RAL 9005), UV-resistant
:	:
:	: CR
:	UL 1703/UL 746 C
가:	IP 68 - 5 bar
:	-40°C ~ +100°C

가 VAT 가 가 .



# SKINTOP® SOLAR

	Article designation / size	Ø F mm	SW (mm)	, C mm	Thread length D mm	/ PU
SKINTOP® SOLAR						
53113300	M 12 x 1,5	3.5 - 7	15	37.5	15	100
53113310	M 16 x 1,5	7 - 9	19	34.0	8	100

(25.04.2024)

©2024 Lapp Group - all rights reserved.

<http://lappkorea.lappgroup.com>

data sheet

PN 0456 / 02\_03.16