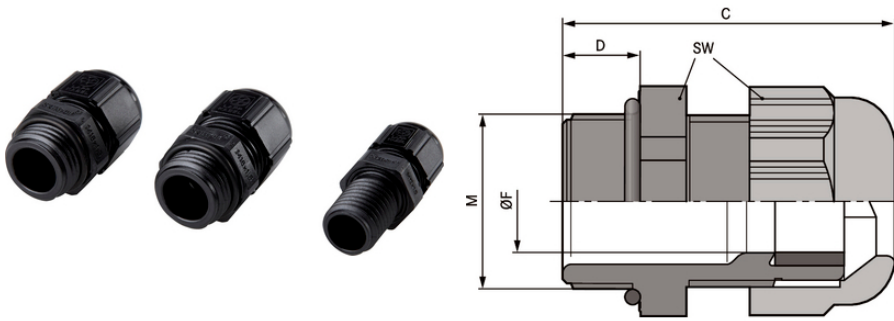


SKINTOP® SOLAR plus

SKINTOP® SOLAR

Cable gland for photovoltaik applications, based on EN 62444, EN 50548 and UL 1703



UV -
UL 746 C - UL F1

UL 94V-0 / 94-5VA

UL E79903

DIN EN 60423
DIN IEC 62444

ETIM 5: ETIM 5.0 Class-ID: EC000441
ETIM 5.0 :

ETIM 6: ETIM 6.0 Class-ID: EC000441
ETIM 6.0 Class :

: T21

: Black (RAL 9005), UV-resistant

(24.04.2024)



SKINTOP® SOLAR plus

:

:

가:

:

:

O- :

UL 1703/UL 746 C

IP 68 - 5 bar

-40°C +125°C

가 VAT 가 가 .

(24.04.2024)

©2024 Lapp Group - all rights reserved.

<http://lappkorea.lappgroup.com>

data sheet

PN 0456 / 02_03.16



SKINTOP® SOLAR plus

	Article designation / size	Ø F mm	SW (mm)	, C mm	Thread length D mm	/ PU
SKINTOP® SOLAR plus						
53113321	M 12 x 1,5	3.5 - 7	15	37.5	15	100
53113331	M 16 x 1,5	7 - 9	19	34.0	8	100

(24.04.2024)

©2024 Lapp Group - all rights reserved.

<http://lappkorea.lappgroup.com>

data sheet

PN 0456 / 02_03.16