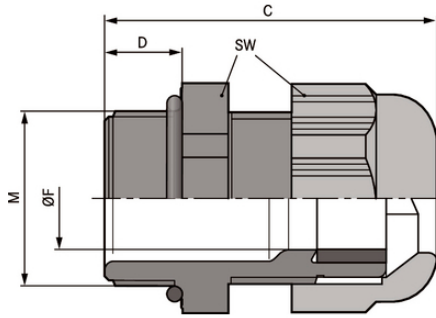


# SKINTOP® K-M ATEX plus

SKINTOP® K-M ATEX plus,



가

II / "e" , , "t"  
2G+1D

DIN EN 60423

(23.04.2024)

©2024 Lapp Group - all rights reserved.

<http://lappkorea.lappgroup.com>

data sheet

PN 0456 / 02\_03.16



# SKINTOP® K-M ATEX plus

DIN IEC 62444

ETIM 5:	ETIM 5.0 Class-ID: EC000441
	ETIM 5.0 :
ETIM 6:	ETIM 6.0 Class-ID: EC000441
	ETIM 6.0 Class :
:	
:	CE 0637 Ex II 2G
	Ex eb IIC Ex II 1D
	Ex ta IIIC
	IECEx IBE 13.0027X
:	Black (RAL 9005), UV-resistant
:	:
:	:
:	O- : CR
	DIN EN 60079-0
	DIN EN 60079-7
	DIN EN 60079-31
가:	IP 68 - 10 bar
:	-20°C +80°C

가 VAT 가 가 .

(23.04.2024)



# SKINTOP® K-M ATEX plus

	Article designation / size	Clamping range ØF mm	(thread) M	SW (mm)	, C mm	Thread length D mm	/ PU
SKINTOP® K-M ATEX plus							
54115200	K-M 12 ATEX plus	3 - 5.5	12 x 1.5	15	30	8	50
54115210	K-M 16 ATEX plus	7 - 9	16 x 1.5	19	34	8	50
54115220	K-M 20 ATEX plus	7 - 13	20 x 1.5	25	38	9	50
54115230	K-M 25 ATEX plus	11 - 17	25 x 1.5	30	40	10	25
54115240	K-M 32 ATEX plus	12 - 21	32 x 1.5	36	47	10	25
54115250	K-M 40 ATEX plus	19 - 28	40 x 1.5	46	52	10	10
54115260	K-M 50 ATEX plus	27 - 35	50 x 1.5	55	62	12	5
54115270	K-M 63 ATEX plus	37 - 45	63 x 1.5	66	71	12	5

(23.04.2024)

©2024 Lapp Group - all rights reserved.

<http://lappkorea.lappgroup.com>

data sheet

PN 0456 / 02\_03.16