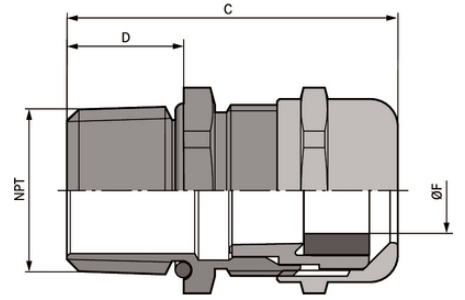


SKINTOP®MS-SC NPT

SKINTOP® MS-SC NPT, 가

EMC



- , EMC

가 EMC

, EMC

UL E79903



SKINTOP®MS-SC NPT

ASME B1.20.1 - 2013 NPT

ETIM 5:

ETIM 5.0 Class-ID: EC000441

ETIM 5.0 :

ETIM 6:

ETIM 6.0 Class-ID: EC000441

ETIM 6.0 Class :

:

:

:

: CR

O- : NBP

가:

IP 68 - 10 bar

NEMA Type 1, 4x, 6, 12

:

Dynamic: -25°C up to +100°C

: -40°C ~ +100°C

가 VAT 가 가 .

(24.04.2024)

©2024 Lapp Group - all rights reserved.

<http://lappkorea.lappgroup.com>

data sheet

PN 0456 / 02_03.16



SKINTOP®MS-SC NPT

	Article designation / size	Ø F mm	SW (mm)	, C mm	Thread length D mm	/ PU
SKINTOP® MS-SC NPT						
53112910	NPT 3/8"	4.5 - 10	20	39.7	15	100
53112920	NPT 1/2"	7 - 13	24	42.5	15	50
53112930	NPT 3/4"	9 - 17	29	44.5	15	25
53112940	NPT 1"	11 - 21	36	49.0	15	25
53112950	NPT 1 1/4"	19 - 28	45	57.5	17	10
53112960	NPT 1 1/2"	27 - 35	54	61.5	17	5

(24.04.2024)

©2024 Lapp Group - all rights reserved.

<http://lappkorea.lappgroup.com>

data sheet

PN 0456 / 02_03.16