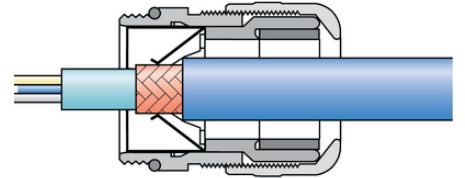


SKINTOP® MS-SC

SKINTOP® MS-SC,

EMC



- / , EMC

가 EMC

EMC

DIN 40430 PG

(23.04.2024)



SKINTOP® MS-SC

EMC , SKINDICHT® SM

ETIM 5:

ETIM 5.0 Class-ID: EC000441

ETIM 5.0 :

ETIM 6:

ETIM 6.0 Class-ID: EC000441

ETIM 6.0 Class :

:

T21

:

:

:

: CR

O- : NBP

가:

IP 68 - 5 bar

:

Dynamic: -25°C up to +100°C

: -40°C +100°C

가 VAT 가 가 .

(23.04.2024)

©2024 Lapp Group - all rights reserved.

<http://lappkorea.lappgroup.com>

data sheet

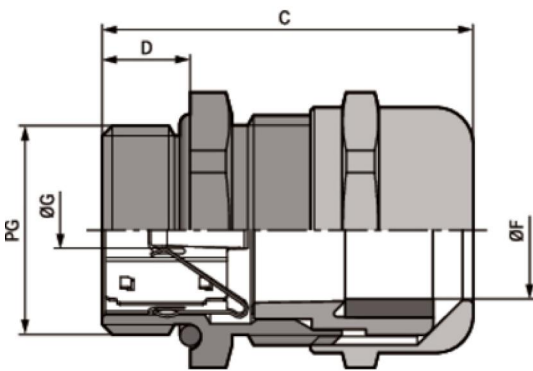
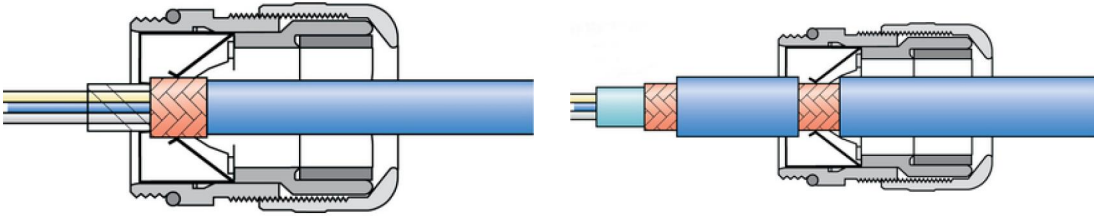
PN 0456 / 02_03.16



SKINTOP® MS-SC

	Article designation / size	Ø F mm	(mm) Ø ,	SW (mm)	, C mm	Thread length D mm	/ PU
SKINTOP® MS-SC							
53112210	PG 9	3.0 - 8.0	4	17	29.0	6	50
53112220	PG 11	4.0 - 10.0	4	20	32.0	6	50
53112230	PG 13,5	5.0 - 12.0	4	22	34.0	6.5	25
53112240	PG 16	8.0 - 14.0	6	24	35.0	6.5	25
53112250	PG 21	11.0 - 18.0	8	30	40.0	7	25
53112260	PG 29	16.0 - 25.0	13	40	48.0	8	10
53112270	PG 36	19.0 - 32.0	16	50	62.0	15	5
SKINTOP® MS-SC XL							
53112310	PG 9	3.0 - 8.0	4	17	35.0	12	50
53112320	PG 11	4.0 - 10.0	4	20	38.0	12	50
53112330	PG 13,5	5.0 - 12.0	4	22	39.5	12	25
53112340	PG 16	8.0 - 14.0	6	24	40.5	12	25
53112350	PG 21	11.0 - 18.0	8	30	45.0	12	25
53112360	PG 29	16.0 - 25.0	13	40	52.0	15	10

SKINTOP® MS-SC



(23.04.2024)

©2024 Lapp Group - all rights reserved.
<http://lappkorea.lappgroup.com>

data sheet

PN 0456 / 02_03.16