

# SKINTOP® MSR-M

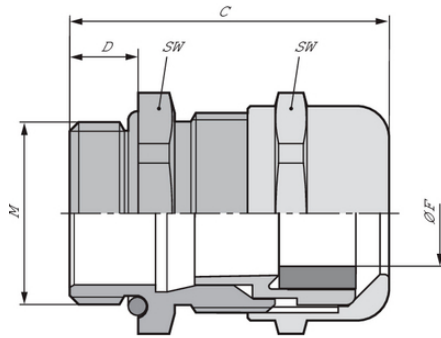
SKINTOP® MSR-M,

가

가 SKINTOP® MSR-M 75 x 1.5

Mit IP69 !

가



(24.04.2024)



# SKINTOP® MSR-M

With reducing seal insert, to seal cables with smaller outer diameters

UL E79903

DIN EN 60423  
DIN IEC 62444

|         |   |
|---------|---|
| ETIM 5: | ETIM 5.0 Class-ID: EC000441                           |
|         | ETIM 5.0 :  |
| ETIM 6: | ETIM 6.0 Class-ID: EC000441                           |
|         | ETIM 6.0 Class :                                      |
| :       | T21   |
| :       | VDE, UL and DNV approval available up to size M75x1,5 |
| :       | :   |
|         | :   |
|         | : CR  |
| 가:      | O- : NBP  |
|         | IP 68 - 10 bar  |
|         | IP 69 (M12 - M63)                                     |
|         | NEMA Type 1, 4x, 6, 12                                |
| :       | Dynamic: -25°C up to +100°C                           |
|         | : -40°C +100°C  |

가 VAT 가 가 .

(24.04.2024)



# SKINTOP® MSR-M

|                | Article designation / size | Ø F mm    | SW (mm) | , C mm | Thread length D mm | / PU |
|----------------|----------------------------|-----------|---------|--------|--------------------|------|
| SKINTOP® MSR-M |                            |           |         |        |                    |      |
| 53112100       | M 12 x 1,5                 | 2 - 5.0   | 16      | 26.5   | 6.5                | 100  |
| 53112110       | M 16 x 1,5                 | 2 - 7.0   | 20      | 33.0   | 7                  | 100  |
| 53112120       | M 20 x 1,5                 | 5 - 10.0  | 24      | 37.0   | 8                  | 50   |
| 53112130       | M 25 x 1,5                 | 6 - 13.0  | 29      | 38.5   | 8                  | 25   |
| 53112140       | M 32 x 1,5                 | 7 - 15.0  | 36      | 45.5   | 9                  | 25   |
| 53112150       | M 40 x 1,5                 | 15 - 23.0 | 45      | 48.0   | 9                  | 10   |
| 53112160       | M 50 x 1,5                 | 22 - 29.0 | 54      | 55.5   | 10                 | 5    |
| 53112170       | M 63 x 1,5                 | 28 - 39.0 | 67      | 61.3   | 15                 | 5    |
| 53112511       | M 75 x 1,5                 | 53 - 63.0 | 95      | 105.0  | 15                 | 1    |
| 53112515       | M 110 x 2                  | 76 - 88.0 | 135     | 154.0  | 25                 | 1    |

(24.04.2024)

©2024 Lapp Group - all rights reserved.

<http://lappkorea.lappgroup.com>

data sheet

PN 0456 / 02\_03.16