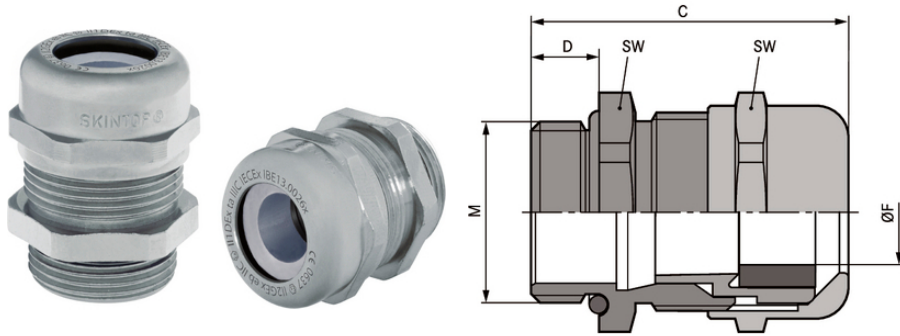


# SKINTOP® MSR-M ATEX

SKINTOP® MSR-M ATEX,



가

With reducing seal insert, to seal cables with smaller outer diameters

DIN EN 60423

DIN IEC 62444

(01.05.2024)

©2024 Lapp Group - all rights reserved.

<http://lappkorea.lappgroup.com>

data sheet

PN 0456 / 02\_03.16



# SKINTOP® MSR-M ATEX

ETIM 5:	ETIM 5.0 Class-ID: EC000441
	ETIM 5.0 :
ETIM 6:	ETIM 6.0 Class-ID: EC000441
	ETIM 6.0 Class :
:	
:	CE 0637 Ex II 2G
	Ex eb IIC Ex II 1D
	Ex ta IIIC
	IECEx IBE 13.0026X
:	:
	:
	: CR
	O- : NBP
:	DIN EN 60079-0
	DIN EN 60079-7
	DIN EN 60079-31
가:	IP 68 - 10 bar
	IP 66
	NEMA Type 1, 4x, 6, 12
:	-30°C +90°C

가 VAT 가 가 .



# SKINTOP® MSR-M ATEX

	Article designation / size	Ø F mm	SW (mm)	, C mm	Thread length D mm	/ PU
SKINTOP® MSR-M ATEX						
53112705	M 12 x 1,5	2.0 - 5.0	16	26.5	6.5	100
53112715	M 16 x 1,5	4.0 - 7.0	20	33.0	7	100
53112725	M 20 x 1,5	5.0 - 10.0	24	37.0	8	50
53112735	M 25 x 1,5	6.0 - 13.0	29	38.5	8	25
53112745	M 32 x 1,5	7.0 - 15.0	36	45.5	9	25
53112755	M 40 x 1,5	16.0 - 23.0	45	48.0	9	10
53112765	M 50 x 1,5	19.0 - 29.0	54	55.5	10	5
53112775	M 63 x 1,5	32.0 - 39.0	67	67.0	15	5

(01.05.2024)

©2024 Lapp Group - all rights reserved.

<http://lappkorea.lappgroup.com>

data sheet

PN 0456 / 02\_03.16