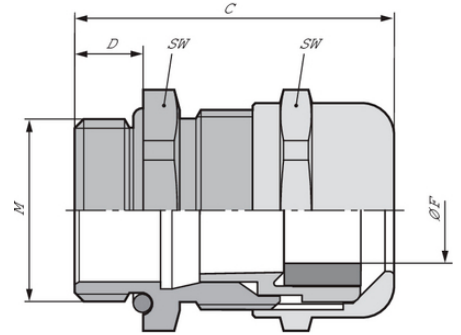


SKINTOP® COLD-R

SKINTOP® COLD-R,



With reducing seal insert, to seal cables with smaller outer diameters

UL E79903

(24.04.2024)

©2024 Lapp Group - all rights reserved.

<http://lappkorea.lappgroup.com>

data sheet

PN 0456 / 02_03.16



SKINTOP® COLD-R

DIN EN 60423

DIN IEC 62444

ETIM 5:

ETIM 5.0 Class-ID: EC000441

ETIM 5.0 :

ETIM 6:

ETIM 6.0 Class-ID: EC000441

ETIM 6.0 Class :

:

T21

:

:

:

:

O- :

가:

IP 68 - 10 bar (M12 - M20)

IP 68 - 5 bar (M25 - M63)

NEMA Type 1, 2, 4x, 6, 12

:

-70°C +100°C

가 VAT

가 가 .

(24.04.2024)

©2024 Lapp Group - all rights reserved.

<http://lappkorea.lappgroup.com>

data sheet

PN 0456 / 02_03.16



SKINTOP® COLD-R

	Article designation / size	Ø F mm	SW (mm)	, C mm	Thread length D mm	/ PU
SKINTOP® COLD-R						
53113600	M 12 x 1,5	1 - 5	16	26.5	6.5	100
53113610	M 16 x 1,5	2 - 7	20	33.0	7	100
53113620	M 20 x 1,5	5 - 10	24	37.0	8	50
53113630	M 25 x 1,5	6 - 13	29	38.5	8	25
53113640	M 32 x 1,5	7 - 15	36	45.5	9	25
53113650	M 40 x 1,5	15 - 23	45	48.0	9	10
53113660	M 50 x 1,5	22 - 29	54	55.5	10	5
53113670	M 63 x 1,5	28 - 39	67	67.0	15	5

(24.04.2024)

©2024 Lapp Group - all rights reserved.

<http://lappkorea.lappgroup.com>

data sheet

PN 0456 / 02_03.16