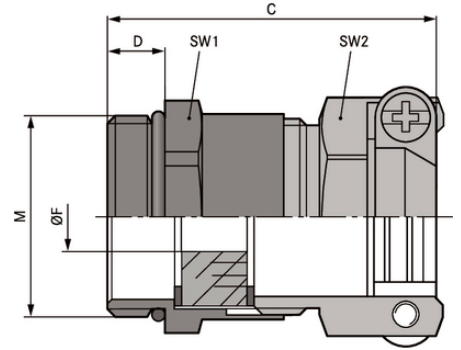


SKINDICHT® SKZ-M

SKINDICHT® SKZ-M,

가



Saddle clamp strain relief gland for harsh application conditions

DIN EN 60423

DIN IEC 62444

SKINDICHT® SHZ-M-XL SKINDICHT® SHZ-M

(thread)

: SKINDICHT® SM-M

:
SKZ-M 16/9
16 =
9 = PG

(24.04.2024)



SKINDICHT® SKZ-M

ETIM 5:

ETIM 5.0 Class-ID: EC000441

ETIM 5.0 :

ETIM 6:

ETIM 6.0 Class-ID: EC000441

ETIM 6.0 Class :

:

T21

:

:

: CR/NBR

가:

O- : NBP

IP 55

:

-20°C +80°C

가 VAT

가 가 .

(24.04.2024)

©2024 Lapp Group - all rights reserved.

<http://lappkorea.lappgroup.com>

data sheet

PN 0456 / 02_03.16

SKINDICHT® SKZ-M

	Article designation / size	Ø F mm	(mm)	PG (thread)	SW1/SW2 mm	, C mm	Thread length D mm	F (mm)	/ PU
SKINDICHT® SKZ-M									
52106800	M 16 x 1,5	5.0 - 8.0	24	9	18 / 17	29.0	5	10.0	50
52106810	M 20 x 1,5	7.0 - 10.0	27	11	22 / 20	30.0	6	12.0	50
52106820	M 20 x 1,5	7.0 - 13.0	30	13.5	22 / 22	33.5	6	14.0	25
52106830	M 20 x 1,5	8.0 - 13.5	33	16	24 / 24	34.5	6	15.0	25
52106840	M 25 x 1,5	-	42	21	30 / 30	41.0	7	20.0	25
52106850	M 32 x 1,5	-	58	29	40 / 41	46.0	8	27.0	10
SKINDICHT® SKZ-M-XL									
52106805	M 16 x 1,5	5.0 - 8.0	24	9	18 / 17	34.0	10	10.0	50
52106815	M 20 x 1,5	7.0 - 10.0	27	11	22 / 20	34.0	10	12.0	50
52106825	M 20 x 1,5	7.0 - 13.0	30	13.5	22 / 22	37.5	10	14.0	25
52106835	M 20 x 1,5	8.0 - 13.5	33	16	24 / 24	38.5	10	15.0	25
52106845	M 25 x 1,5	-	42	21	30 / 30	45.0	11	20.0	25
52106855	M 32 x 1,5	-	58	29	40 / 41	51.0	13	27.0	10

(24.04.2024)

©2024 Lapp Group - all rights reserved.

<http://lappkorea.lappgroup.com>

data sheet

PN 0456 / 02_03.16