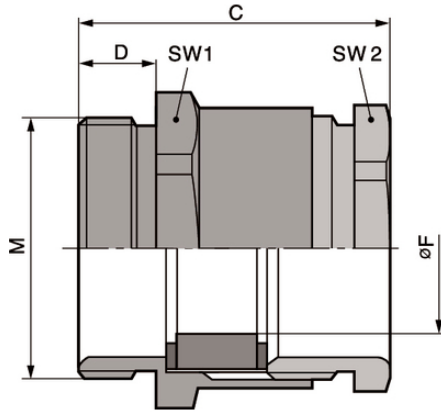


# SKINDICHT® SVRN-M

SKINDICHT® SVRN-M,



DIN EN 60423

DIN IEC 62444

: SKINDICHT® SM-M

:  
SVRN-M 12 / 7 / 5

12 =

7 = PG

(23.04.2024)

©2024 Lapp Group - all rights reserved.

<http://lappkorea.lappgroup.com>

data sheet

PN 0456 / 02\_03.16



# SKINDICHT® SVRN-M

5 = F

ETIM 5:

ETIM 5.0 Class-ID: EC000441

ETIM 5.0 :

ETIM 6:

ETIM 6.0 Class-ID: EC000441

ETIM 6.0 Class :

:

T21

:

가

:

:

: CR/NBR

가:

IP 54

:

-20°C +100°C

가 VAT 가 가 .

(23.04.2024)

©2024 Lapp Group - all rights reserved.

<http://lappkorea.lappgroup.com>

data sheet

PN 0456 / 02\_03.16



# SKINDICHT® SVRN-M

	Article designation / size	(thread) PG	SW1/SW2 mm	, C mm	Thread length D mm	F (mm)	/ PU
SKINDICHT® SVRN-M							
52104800	M 12 x 1,5	7	14.0 / 13.0	20.6	5	5.0	100
52104810	M 12 x 1,5	7	14.0 / 13.0	20.6	5	6.0	100
52104820	M 12 x 1,5	7	14.0 / 13.0	20.6	5	7.0	100
52104830	M 16 x 1,5	9	18.0 / 15.0	21.6	5	7.0	100
52104840	M 16 x 1,5	9	18.0 / 15.0	21.6	5	8.0	100
52104850	M 16 x 1,5	9	18.0 / 15.0	21.6	5	9.0	100
52104860	M 20 x 1,5	11	22.0 / 18.0	23.6	6	10.0	50
52104870	M 20 x 1,5	11	22.0 / 18.0	23.6	6	11.0	50
52104890	M 20 x 1,5	13.5	22.0 / 20.0	25.6	6	12.0	50
52104900	M 20 x 1,5	16	24.0 / 22.0	26.6	6	13.0	50
52104910	M 20 x 1,5	16	24.0 / 22.0	26.6	6	14.0	50
52104920	M 25 x 1,5	21	30.0 / 28.0	29.6	7	18.0	50
52104930	M 32 x 1,5	29	40.0 / 37.0	32.6	8	27.0	50
52104940	M 40 x 1,5	36	50.0 / 47.0	37.6	8	34.0	20

(23.04.2024)

©2024 Lapp Group - all rights reserved.

<http://lappkorea.lappgroup.com>

data sheet

PN 0456 / 02\_03.16