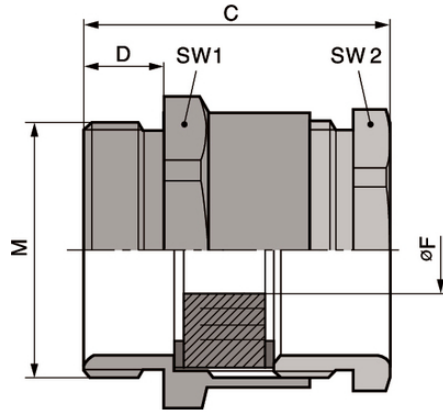


SKINDICHT® SVRE-M

SKINDICHT® SVRE-M,



DIN EN 60423

DIN IEC 62444

가 SKINDICHT® EV
: SKINDICHT® SM-M

ETIM 5:

ETIM 5.0 Class-ID: EC000441
ETIM 5.0 :

ETIM 6:

ETIM 6.0 Class-ID: EC000441
ETIM 6.0 Class :

(23.04.2024)

SKINDICHT® SVRE-M

: T21
:
: VITON® 가 가
:
: CR/NBR
가: IP 54
: -20°C +80°C

가 VAT 가 가 .



SKINDICHT® SVRE-M

	Article designation / size	ØF (mm)	Ø (mm)	PG (thread)	SW1/SW2 mm	, C mm	Thread length D mm	F (mm)	/ PU
SKINDICHT® SVRE-M									
52104980	M 16 x 1,5	5/8	10	9	18.0 / 15.0	21.6	5	10.0	100
52104990	M 20 x 1,5	7/10/12.5	12	11	22.0 / 18.0	23.6	6	12.0	50
52105000	M 20 x 1,5	7/10.5/13/16	14	13.5	22.0 / 20.0	25.6	6	14.0	50
52105010	M 20 x 1,5	8/10.5/13.5/16	15	16	24.0 / 22.0	26.6	6	15.0	50
52105002	M 25 x 1,5	11/15/18/20	20	21	30.0 / 28.0	29.6	7	20.0	50
52105003	M 32 x 1,5	19/23/27/31	27	29	40.0 / 37.0	32.6	8	27.0	50
52105004	M 40 x 1,5	25/28/31/35	34	36	50.0 / 47.0	37.6	8	34.0	20
52105005	M 50 x 1,5	35.5/39/42.5/46	43	42	57.0 / 54.0	42.6	9	43.0	5
52105006	M 63 x 1,5	40.5/44/47/50.5	48	48	66.0 / 60.0	45.1	10	48.0	5

©2024 Lapp Group - all rights reserved.

<http://lappkorea.lappgroup.com>

data sheet

PN 0456 / 02_03.16

(23.04.2024)