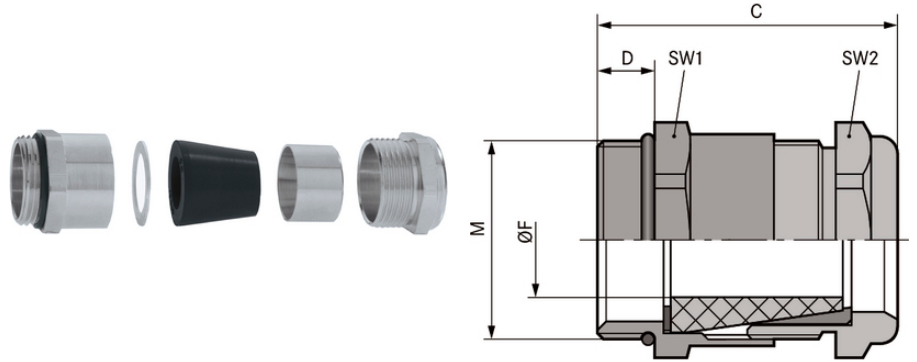


SKINDICHT® SHV-M

SKINDICHT® SHV-M,

가



가

DIN EN 60423

DIN IEC 62444

: SKINDICHT® SM-M

: SKINDICHT® SHV

:

(24.04.2024)

SKINDICHT® SHV-M

SHV-M 20/11/7
20 =
11 = PG
7 =

ETIM 5:

ETIM 5.0 Class-ID: EC000441
ETIM 5.0 :

ETIM 6:

ETIM 6.0 Class-ID: EC000441
ETIM 6.0 Class :

:

T21

:

:

: CR

O- : NBR

가:

IP 68 - 10 bar

:

-20°C +80°C

가 VAT 가 가 .

(24.04.2024)



SKINDICHT® SHV-M

	Article designation / size	Clamping range ØF mm	(thread) PG	SW1/SW2 mm	, C mm	Thread length D mm		/ PU
SKINDICHT® SHV-M								
52105270	M 12 x 1,5	3 - 4.8	7	14.0 / 14.0	26.0	5	5.0	50
52105280	M 16 x 1,5	4.5 - 5.8	9	18.0 / 17.0	26.5	5	6.0	50
52105290	M 16 x 1,5	5.5 - 6.8	9	18.0 / 17.0	26.5	5	7.0	50
52105300	M 20 x 1,5	6 - 6.8	11	22.0 / 20.0	31.0	6	7.0	25
52105310	M 20 x 1,5	6.5 - 8.8	11	22.0 / 20.0	31.0	6	9.0	25
52105320	M 20 x 1,5	6.5 - 8.8	13.5	22.0 / 22.0	32.5	6	9.0	25
52105330	M 20 x 1,5	9 - 10.8	13.5	22.0 / 22.0	32.5	6	11.0	25
52105340	M 20 x 1,5	9 - 10.8	16	24.0 / 24.0	34.5	6	11.0	25
52105350	M 20 x 1,5	9.5 - 12.8	16	24.0 / 24.0	34.5	6	13.0	25
52105360	M 20 x 1,5	13 - 14.8	16	24.0 / 24.0	34.5	6	15.0	25
52105370	M 25 x 1,5	13.5 - 15.8	21	30.0 / 30.0	38.5	7	16.0	25
52105380	M 25 x 1,5	15 - 17.8	21	30.0 / 30.0	38.5	7	18.0	25
52105390	M 25 x 1,5	17.5 - 19.8	21	30.0 / 30.0	38.5	7	20.0	25
52105400	M 32 x 1,5	17.5 - 21.8	29	40.0 / 40.0	42.5	8	22.0	10
52105410	M 32 x 1,5	19 - 23.8	29	40.0 / 40.0	42.5	8	24.0	10
52105420	M 32 x 1,5	23 - 25.8	29	40.0 / 40.0	42.5	8	26.0	10

©2024 Lapp Group - all rights reserved.

<http://lappkorea.lappgroup.com>

data sheet

PN 0456 / 02_03.16

(24.04.2024)