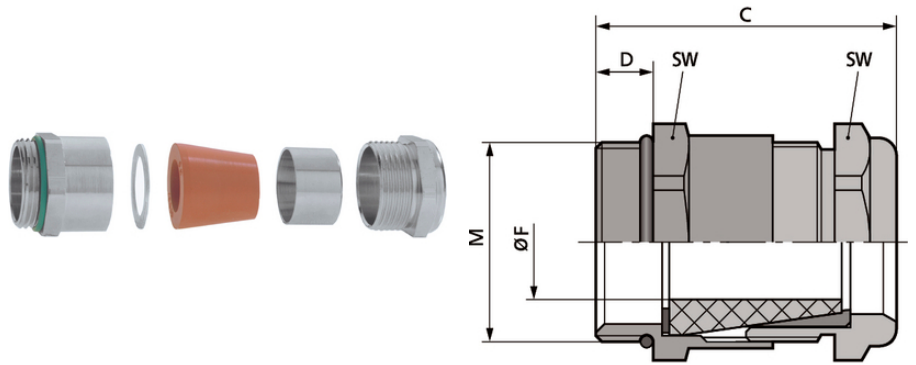


# SKINDICHT® SHV-M FKM

SKINDICHT® SHV-M FKM, , ,



FKM 가

- 1
- 2
- 3 FKM-Dichtkonus
- 4
- 5



# SKINDICHT® SHV-M FKM

: SKINDICHT® SM-M

:  
SHV-M-Viton® 20/11/7

20 =  
11 = PG  
7 =

ETIM 5:

ETIM 5.0 Class-ID: EC000441

ETIM 5.0 :

ETIM 6:

ETIM 6.0 Class-ID: EC000441

ETIM 6.0 Class :

:

T21

:

:

: FKM

O- : FKM

가:

IP 68 - 10 bar

:

-20°C to +200°C

가 VAT 가 가 .

(24.04.2024)

©2024 Lapp Group - all rights reserved.

<http://lappkorea.lappgroup.com>

data sheet

PN 0456 / 02\_03.16



SKINDICHT® SHV-M FKM

	Article designation / size	Clamping range ØF mm	(thread) PG	SW (mm)	, C mm	Thread length D mm	F (mm)	/ PU
SKINDICHT® SHV-M FKM								
52105430	M 12 x 1,5	3.8 - 4.8	7	14.0 / 14.0	26.0	5	5.0	50
52105440	M 16 x 1,5	4.8 - 5.8	9	18.0 / 17.0	27.5	5	6.0	50
52105450	M 16 x 1,5	5.8 - 6.8	9	18.0 / 17.0	27.5	5	7.0	50
52105460	M 20 x 1,5	5.8 - 6.8	11	22.0 / 20.0	31.0	6	7.0	25
52105470	M 20 x 1,5	6.8 - 8.8	11	22.0 / 20.0	31.0	6	9.0	25
52105480	M 20 x 1,5	8.5 - 10.8	13.5	22.0 / 22.0	32.5	6	11.0	25
52105490	M 20 x 1,5	6.8 - 8.8	13.5	22.0 / 22.0	32.5	6	9.0	25
52105500	M 20 x 1,5	10.8 - 12.8	16	24.0 / 24.0	34.5	6	13.0	25
52105510	M 20 x 1,5	13.8 - 14.8	16	24.0 / 24.0	34.5	6	15.0	25
52105520	M 25 x 1,5	15.8 - 17.8	21	30.0 / 30.0	38.0	7	18.0	25
52105530	M 25 x 1,5	17.5 - 19.8	21	30.0 / 30.0	38.0	7	20.0	25
52105540	M 32 x 1,5	19.5 - 21.8	29	40.0 / 40.0	44.5	8	22.0	10