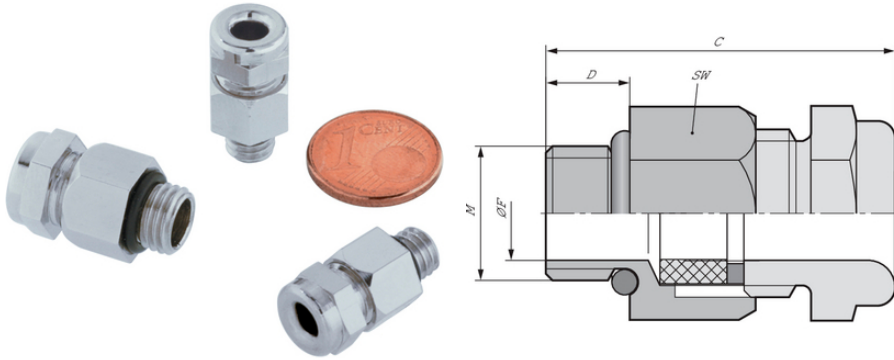


SKINDICHT® MINI NBR

SKINDICHT® MINI, 가



가

Suitable for use in oily surroundings

ETIM 5:

ETIM 5.0 Class-ID: EC000441

ETIM 5.0 :

ETIM 6:

ETIM 6.0 Class-ID: EC000441

ETIM 6.0 Class :

:

M 6 x 1 1.5 Nm

M 8 x 1 3.0 Nm

(24.04.2024)

©2024 Lapp Group - all rights reserved.

<http://lappkorea.lappgroup.com>

data sheet

PN 0456 / 02_03.16



SKINDICHT® MINI NBR

:

가:

:

:

: CR/NBR

IP 66

IP 68 - 5 bar

-20°C +100°C

가 VAT

가 가 .

(24.04.2024)

©2024 Lapp Group - all rights reserved.

<http://lappkorea.lappgroup.com>

data sheet

PN 0456 / 02_03.16



SKINDICHT® MINI NBR

	Article designation / size	Clamping range ØF mm	SW (mm)	, C mm	Thread length D mm	F (mm)	/ PU
SKINDICHT® MINI NBR							
52001860	M 6 x 1	2 - 3	9	19.7	5	3.0	50
52001880	M 8 x 1	3.5 - 5.5	11	20.5	5	5.5	50
52001895	M 10 x 1	5.5 - 7	14	22.3	5	7.4	50