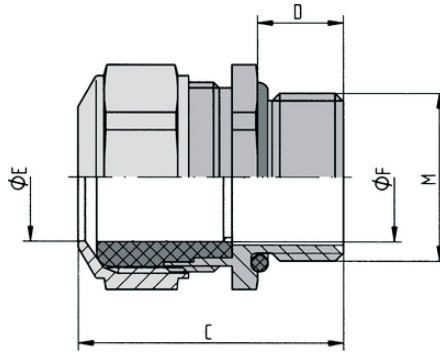


# SKINDICHT® CN-M

SKINDICHT® CN-M,



FKM

DIN EN 60423

(23.04.2024)

©2024 Lapp Group - all rights reserved.

<http://lappkorea.lappgroup.com>

data sheet

PN 0456 / 02\_03.16



# SKINDICHT® CN-M

DIN IEC 62444

SKINDICHT® SM CrNi M

ETIM 5:

ETIM 5.0 Class-ID: EC000441

ETIM 5.0 :

ETIM 6:

ETIM 6.0 Class-ID: EC000441

ETIM 6.0 Class :

:

T21

:

: DIN

no. 1.4305

: FPM

O- : FPM

가:

IP 68 - 5 bar

IP 69

:

-40°C to +200°C

가 VAT 가 가 .

(23.04.2024)

©2024 Lapp Group - all rights reserved.

<http://lappkorea.lappgroup.com>

data sheet

PN 0456 / 02\_03.16



# SKINDICHT® CN-M

	Article designation / size	Clamping range ØF mm	SW (mm)	, C mm	Thread length D mm	/ PU
SKINDICHT® CN-M						
52032580	M 12 x 1,5/1	3.5 - 5	17	27.0	10	5
52032590	M 12 x 1,5/2	5 - 6.5	17	27.0	10	5
52032600	M 12 x 1,5/3	6.5 - 8	17	27.0	10	5
52032610	M 16 x 1,5	8 - 10.5	18	30.0	10	5
52032620	M 20 x 1,5	11 - 15	24	31.0	10	5
52032630	M 25 x 1,5	16 - 20.5	30	36.0	11	5
52032640	M 32 x 1,5	21 - 25.5	36	41.0	13	5
52032650	M 40 x 1,5	28.5 - 33	46	44.0	13	1
52032660	M 50 x 1,5	37 - 42	55	48.0	14	1
52032670	M 63 x 1,5	46 - 52	70	51.0	14	1

(23.04.2024)

©2024 Lapp Group - all rights reserved.

<http://lappkorea.lappgroup.com>

data sheet

PN 0456 / 02\_03.16