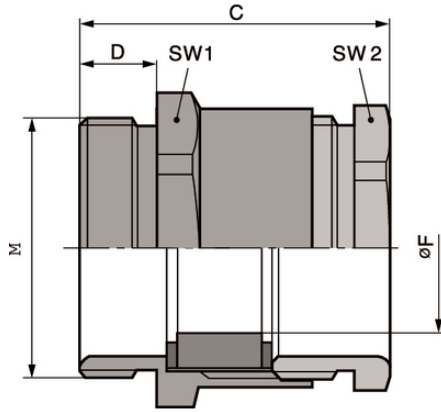


SKINDICHT® SVFK-M

SKINDICHT® SVFK-M, ,



가

DIN EN 60423

DIN IEC 62444

ÖLFLEX® LIFT F

ÖLFLEX® CRANE F

(23.04.2024)

©2024 Lapp Group - all rights reserved.

<http://lappkorea.lappgroup.com>

data sheet

PN 0456 / 02_03.16



SKINDICHT® SVFK-M

: SKINTOP® GMP-GL-M

ETIM 5:

ETIM 5.0 Class-ID: EC000441

ETIM 5.0 :

ETIM 6:

ETIM 6.0 Class-ID: EC000441

ETIM 6.0 Class :

:

T21

:

(RAL 7035)

:

:

가: CR

가:

IP 54

:

-30°C +80°C

가 VAT 가 가 .

(23.04.2024)

©2024 Lapp Group - all rights reserved.

<http://lappkorea.lappgroup.com>

data sheet

PN 0456 / 02_03.16



SKINDICHT® SVFK-M

	Article designation / size	/ .	/ (mm)	SW1/SW2 mm	, C mm	Thread length D mm	/ PU
SKINDICHT® SVFK-M							
52107900	M 25 x 1,5	- / 15	- - 5.0	27.0 / 23.0	41.0	11	25
52107901	M 32 x 1,5	10.0 / 21	3.0 - 8.0	36.0 / 30.0	39.0	10	25
52107902	M 40 x 1,5	16.0 / 28	4.0 - 11.5	42.0 / 40.0	44.0	11	25
52107903	M 50 x 1,5	26.0 / 35	4.0 - 11.5	53.0 / 50.0	50.5	11	5
52107904	M 50 x 1,5	30.0 / 40	5.0 - 12.0	60.0 / 55.0	53.5	11	5
52107905	M 63 x 1,5	36.0 / 45	5.0 - 12.0	65.0 / 60.0	54.5	11	5

(23.04.2024)

©2024 Lapp Group - all rights reserved.

<http://lappkorea.lappgroup.com>

data sheet

PN 0456 / 02_03.16