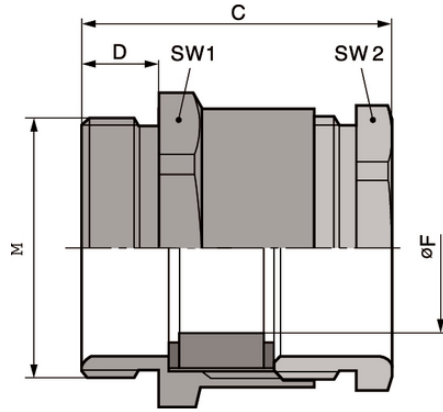


# SKINDICHT® SVF-M

SKINDICHT® SVF-M,



가

DIN EN 60423

DIN IEC 62444

ÖLFLEX® LIFT F

ÖLFLEX® CRANE F

(23.04.2024)



# SKINDICHT® SVF-M

: SKINDICHT® SM-M

ETIM 5:

ETIM 5.0 Class-ID: EC000441

ETIM 5.0 :

ETIM 6:

ETIM 6.0 Class-ID: EC000441

ETIM 6.0 Class :

:

T21

:

:

: CR

가:

IP 54

:

-30°C ~ +100°C

가 VAT 가 가 .

(23.04.2024)

©2024 Lapp Group - all rights reserved.

<http://lappkorea.lappgroup.com>

data sheet

PN 0456 / 02\_03.16



# SKINDICHT® SVF-M

	Article designation / size	/ .	(thread) PG	/ (mm)	, C mm	Thread length D mm	/ PU
SKINDICHT® SVF-M							
52107320	M 20 x 1,5	- / 15	16	- / 5.0	27.0	6	25
52107340	M 25 x 1,5	9.0 / 20	21	3.0 / 8.0	30.5	7	25
52107350	M 32 x 1,5	14.0 / 27	29	4.0 / 11.5	32.0	8	10
52107360	M 40 x 1,5	24.0 / 34	36	4.0 / 11.5	35.0	8	10
52107370	M 50 x 1,5	29.0 / 44	42	5.0 / 12.0	40.0	9	5
52107380	M 63 x 1,5	34.0 / 50	48	5.0 / 12.0	42.0	10	5

(23.04.2024)

©2024 Lapp Group - all rights reserved.

<http://lappkorea.lappgroup.com>

data sheet

PN 0456 / 02\_03.16