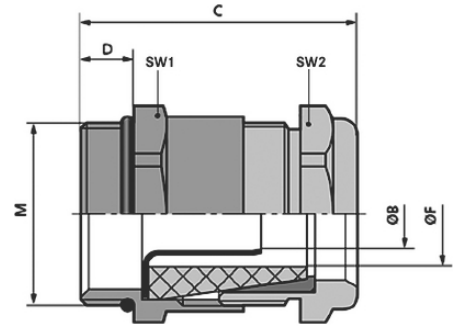
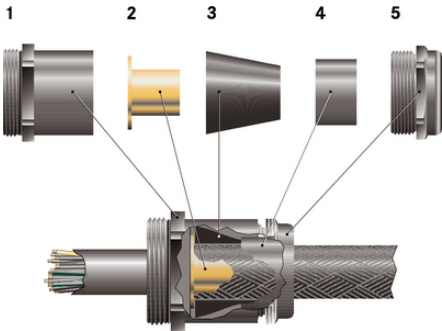


SKINDICHT® SHVE-M

SKINDICHT® SHVE-M, 360°



360°

- 1
- 2
- 3
- 4
- 5

: SKINDICHT® SM-M

(23.05.2024)

SKINDICHT® SHVE-M

SKINDICHT® SM-PE-M

EMC

SKINTOP® MS-SC-M

MS-M BRUSH

SKINDICHT® SM-PE-M

Example order identification:

SHVE-M 20 / 16 / 15 / 11

20 = Connection thread metric

16 = Function thread PG

15 = Clear width of sealing cone (F)

11 = Clear width of earthing sleeve (B)

ETIM 5:

ETIM 5.0 Class-ID: EC000441

ETIM 5.0 :

ETIM 6:

ETIM 6.0 Class-ID: EC000441

ETIM 6.0 Class :

:

T21

:

:

:

: CR

O- : NBR

가:

IP 68 - 10 bar

:

-20°C +80°C

가 VAT

가 가 .

(23.05.2024)

©2024 Lapp Group - all rights reserved.

<http://lappkorea.lappgroup.com>

data sheet

PN 0456 / 02_03.16

	Article designation / size	(thread) PG	Outer sheath clamping range ØF mm	(mm)	SW1/SW2 mm	mm , C	Thread length D mm	ØB	F (mm)	/ PU
SKINDICHT® SHVE-M										
52106860	M 16 x 1,5	9	4.5 - 5.8	2.2 - 3.2	18 / 17	26.5	5	3.2	6.0	25
52106870	M 16 x 1,5	9	4.5 - 6.8	2.2 - 3.2	18 / 17	26.5	5	3.2	7.0	25
52106880	M 16 x 1,5	9	5.5 - 5.8	2.6 - 3.6	18 / 17	26.5	5	3.6	6.0	25
52106890	M 16 x 1,5	9	5.5 - 6.8	2.6 - 3.6	18 / 17	26.5	5	3.6	7.0	25
52106910	M 20 x 1,5	11	3 - 6.8	3.5 - 4.5	22 / 20	31.0	6	4.5	7.0	25
52106920	M 20 x 1,5	11	6 - 8.8	3.5 - 4.5	22 / 20	31.0	6	4.5	9.0	25
52106930	M 20 x 1,5	13.5	6.5 - 8.8	3.5 - 5	22 / 22	32.0	6	5	9.0	25
52106940	M 20 x 1,5	13.5	6 - 8.8	4.5 - 6	22 / 22	32.0	6	6	9.0	25
52106950	M 20 x 1,5	13.5	8 - 10.8	5.5 - 7	22 / 22	32.0	6	7	11.0	25
52106960	M 20 x 1,5	16	8.5 - 10.8	6 - 8	24 / 24	34.5	6	8	11.0	25
52106970	M 20 x 1,5	16	10 - 12.8	7 - 9	24 / 24	34.5	6	9	13.0	25
52106980	M 20 x 1,5	16	10 - 12.8	8 - 10	24 / 24	34.5	6	10	13.0	25
52106990	M 20 x 1,5	16	12.5 - 14.8	9 - 11	24 / 24	34.5	6	11	15.0	25
52107000	M 25 x 1,5	21	13 - 15.8	10 - 12	30 / 30	39.0	7	12	16.0	25
52107010	M 25 x 1,5	21	13 - 15.8	11 - 13	30 / 30	39.0	7	13	16.0	25
52107020	M 25 x 1,5	21	15.5 - 17.8	12 - 14	30 / 30	39.0	7	14	18.0	25
52107030	M 25 x 1,5	21	15 - 17.8	13 - 15	30 / 30	39.0	7	15	18.0	25
52107040	M 25 x 1,5	21	17.5 - 19.8	14 - 16	30 / 30	39.0	7	16	20.0	25
52107050	M 32 x 1,5	29	19 - 21.8	15 - 17	40 / 40	45.5	8	17	22.0	10
52107060	M 32 x 1,5	29	18 - 23.8	16 - 18	40 / 40	45.5	8	18	22.0	10
52107070	M 32 x 1,5	29	20 - 23.8	17 - 19	40 / 40	45.5	8	19	24.0	10
52107080	M 32 x 1,5	29	23 - 25.8	17 - 19	40 / 40	45.5	8	19	26.0	10

(23.05.2024)

©2024 Lapp Group - all rights reserved.

<http://lappkorea.lappgroup.com>

data sheet

PN 0456 / 02_03.16