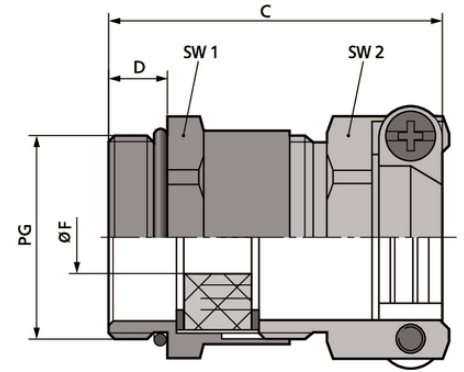


SKINDICHT® SKZ

SKINDICHT® SKZ, 가

가 PG



Saddle clamp strain relief gland for harsh application conditions

PG

SKINDICHT® SKZ-XL SKINDICHT® SKZ (thread)

: SKINDICHT® SM

가 SKINDICHT® EV

(24.04.2024)

©2024 Lapp Group - all rights reserved.

<http://lappkorea.lappgroup.com>

data sheet

PN 0456 / 02_03.16

SKINDICHT® SKZ

ETIM 5:

ETIM 5.0 Class-ID: EC000441

ETIM 5.0 :

ETIM 6:

ETIM 6.0 Class-ID: EC000441

ETIM 6.0 Class :

:

T21

:

:

: CR/NBR

O- : NBP

가:

IP 55

:

-20°C +80°C

가 VAT 가 가 .

(24.04.2024)

©2024 Lapp Group - all rights reserved.

<http://lappkorea.lappgroup.com>

data sheet

PN 0456 / 02_03.16



SKINDICHT® SKZ

	Article designation / size	Ø F mm	(mm)	SW1/SW2 mm	, C mm	Thread length D mm	/ PU
SKINDICHT® SKZ							
52004280	PG 9	6 - 8	24	17.0 / 17.0	30.0	6	50
52004290	PG 11	8 - 12	27	20.0 / 21.0	30.0	6	50
52004300	PG 13,5	12 - 14	30	22.0 / 22.0	34.0	6.5	25
52004310	PG 16	13 - 16	33	24.0 / 24.0	35.0	6.5	25
52004320	PG 21	15 - 20	42	30.0 / 30.0	41.0	7	25
52005570	PG 29	20 - 27	58	40.0 / 41.0	46.0	8	10
SKINDICHT® SKZ-XL							
52005575	PG 9	6 - 8	24	17.0 / 17.0	39.0	15	50
52005576	PG 11	8 - 12	27	20.0 / 21.0	39.0	15	50
52005577	PG 13,5	12 - 16	30	22.0 / 22.0	42.5	15	25
54000043	PG 16	13 - 16	33	24.0 / 24.0	43.5	15	25
54000011	PG 21	15 - 20	42	30.0 / 30.0	49.0	15	25
54000098	PG 29	20 - 27	58	40.0 / 41.0	53.0	15	10

(24.04.2024)

©2024 Lapp Group - all rights reserved.

<http://lappkorea.lappgroup.com>

data sheet

PN 0456 / 02_03.16